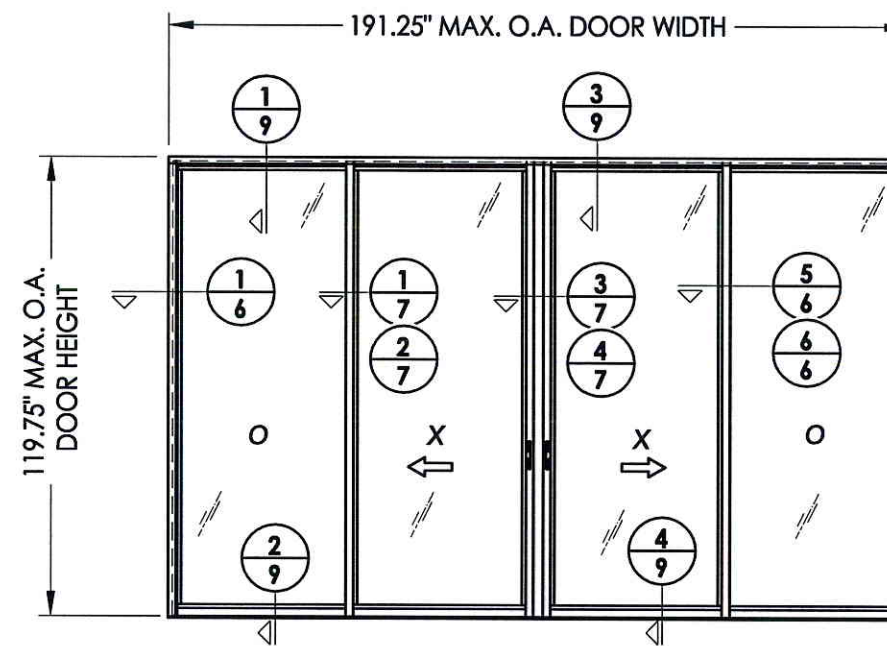
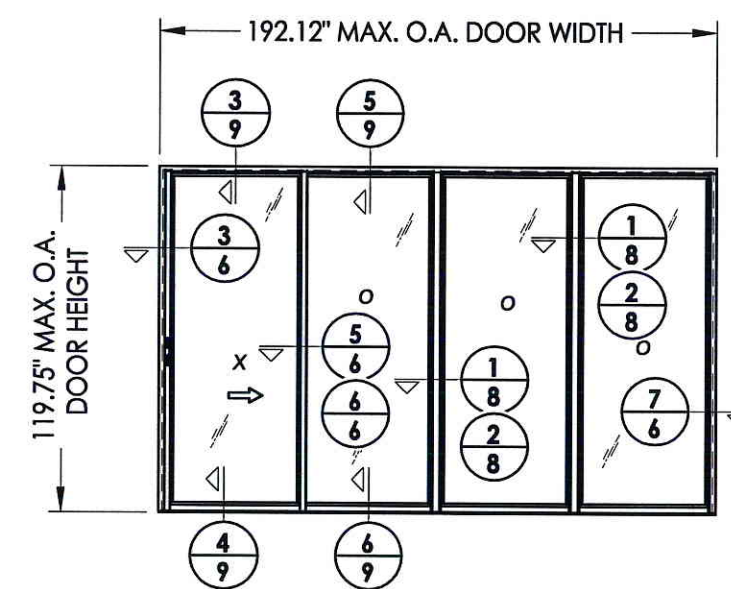
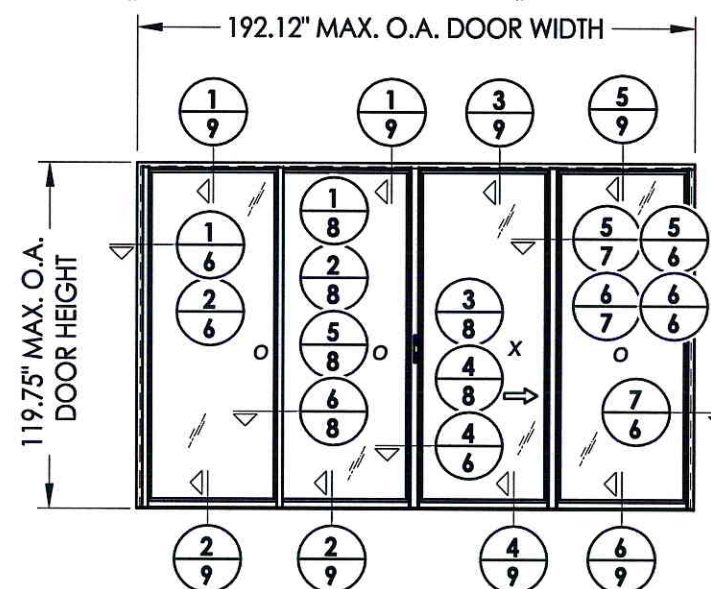
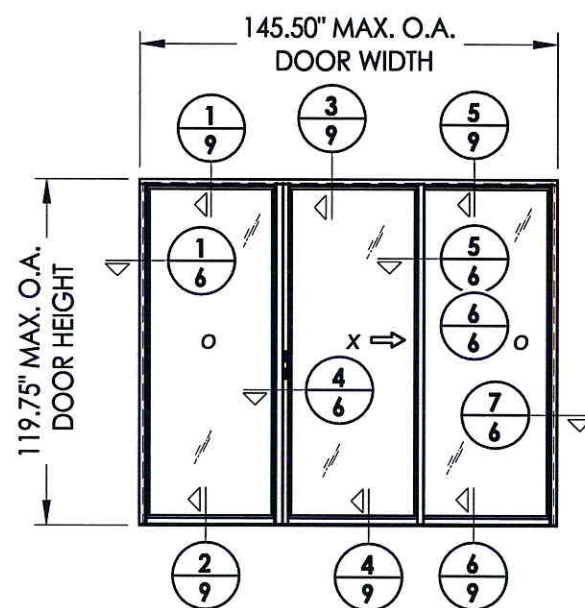
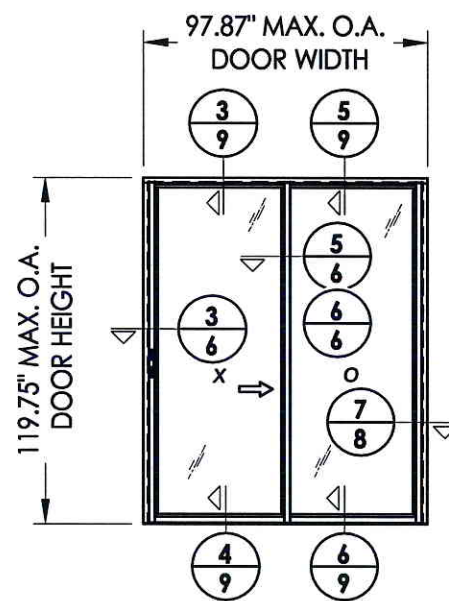




SUNDOR 5000 SLIDING GLASS DOOR "SMALL MISSILE IMPACT"



HEIGHT	REINFORCED	GLASS TYPE	DESIGN PRESSURE (PSF)	
			POSITIVE	NEGATIVE
192.12" X 119.75	YES	G3, G4	+100.0	-100.0
		G1, G2	+70.0	-75.0
192.12" X 119.75	NO	G1, G2 G3, G4	+70.0	-75.0
192.12" X 95.75	NO	G1, G2	+115.0	-135.0

TABLE OF CONTENTS	
SHEET #	DESCRIPTION
1	Typical elevations, design pressures & general notes
2	Door panel details
3	Door panel details
4	Sidelite panel details
5	Corner details
6	Horizontal cross sections
7	Horizontal cross sections
8	Horizontal cross sections
9	Vertical cross sections
10	Anchoring (Max. DP <= 75 PSF)
11	Anchoring (Max. DP <= 135 PSF)
12	Components
13	Bill of Materials & Components

GENERAL NOTES

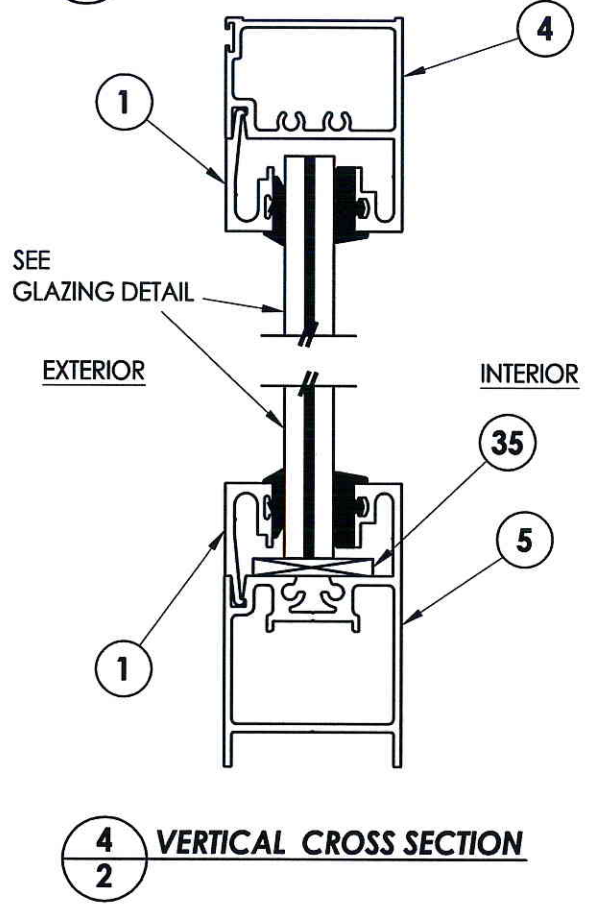
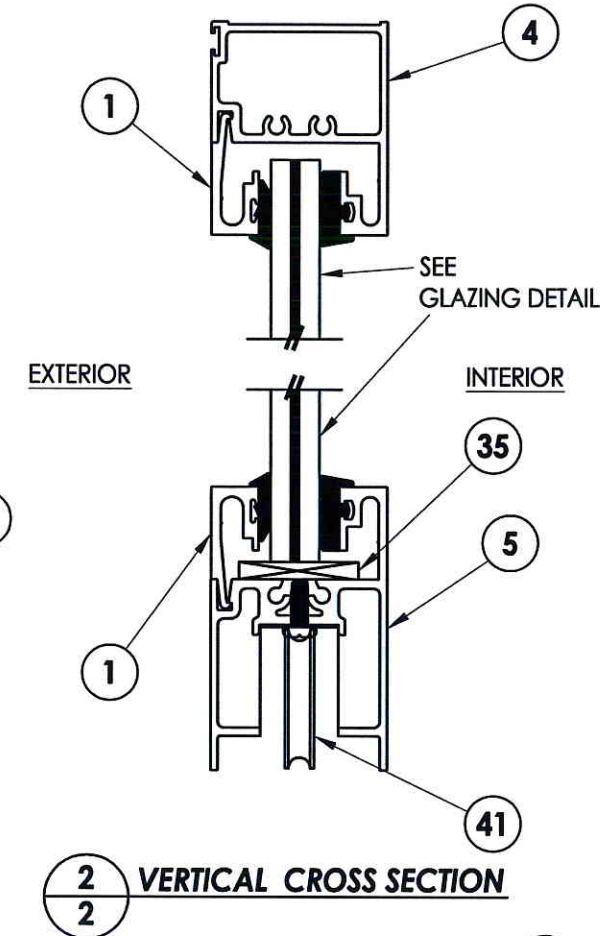
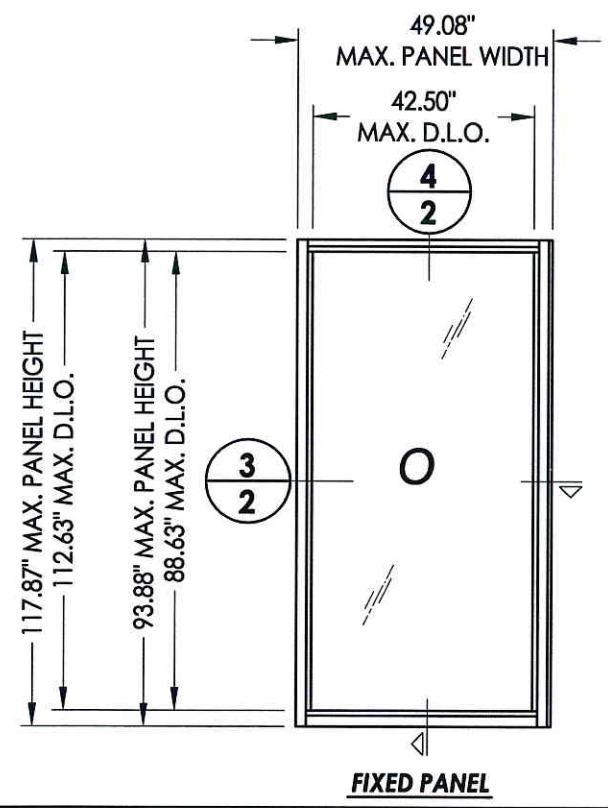
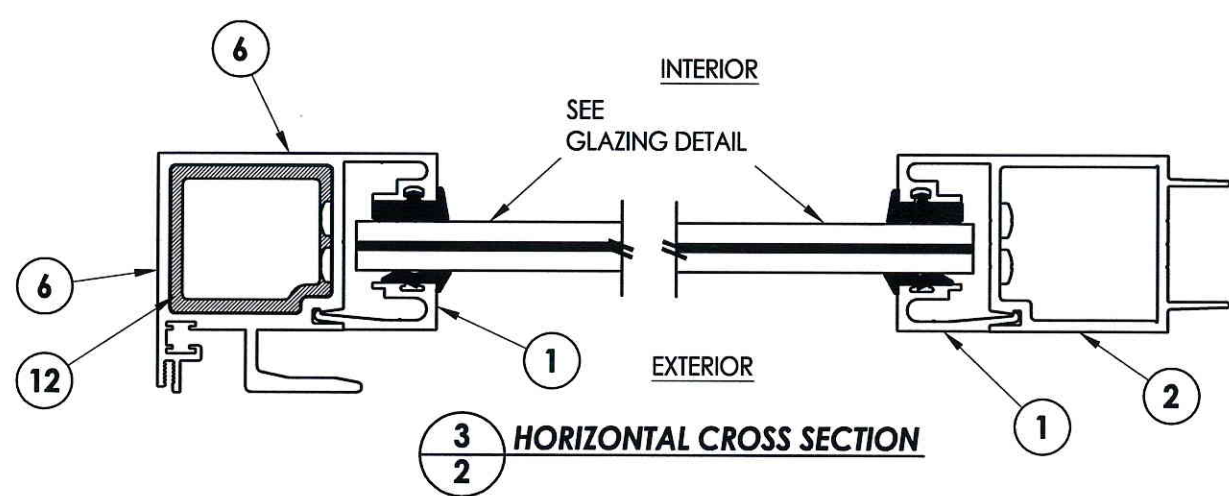
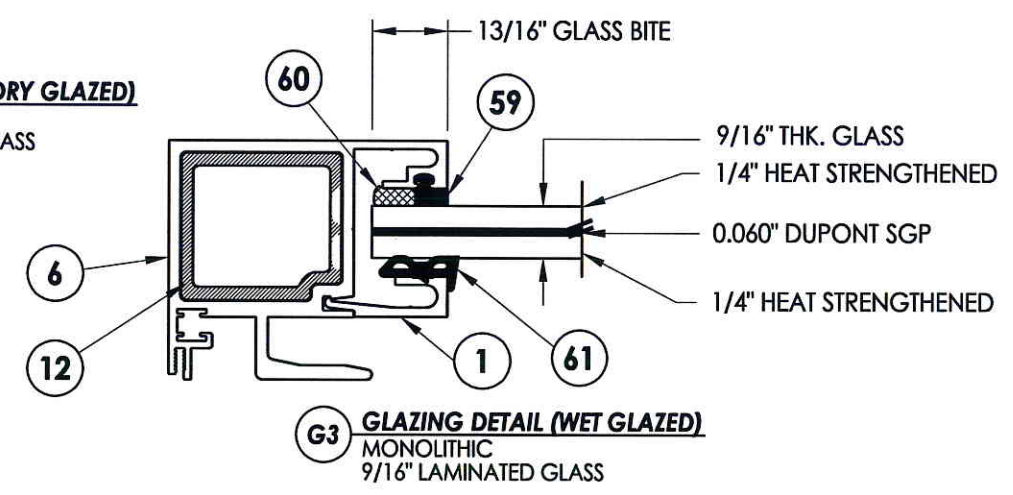
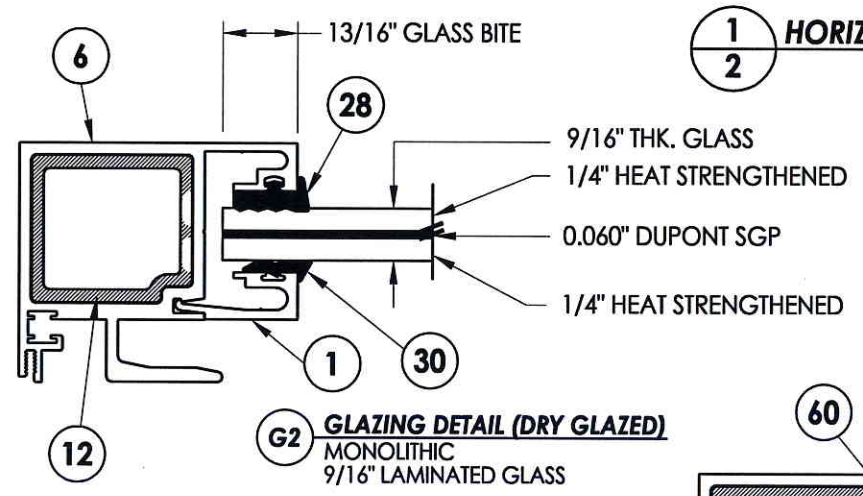
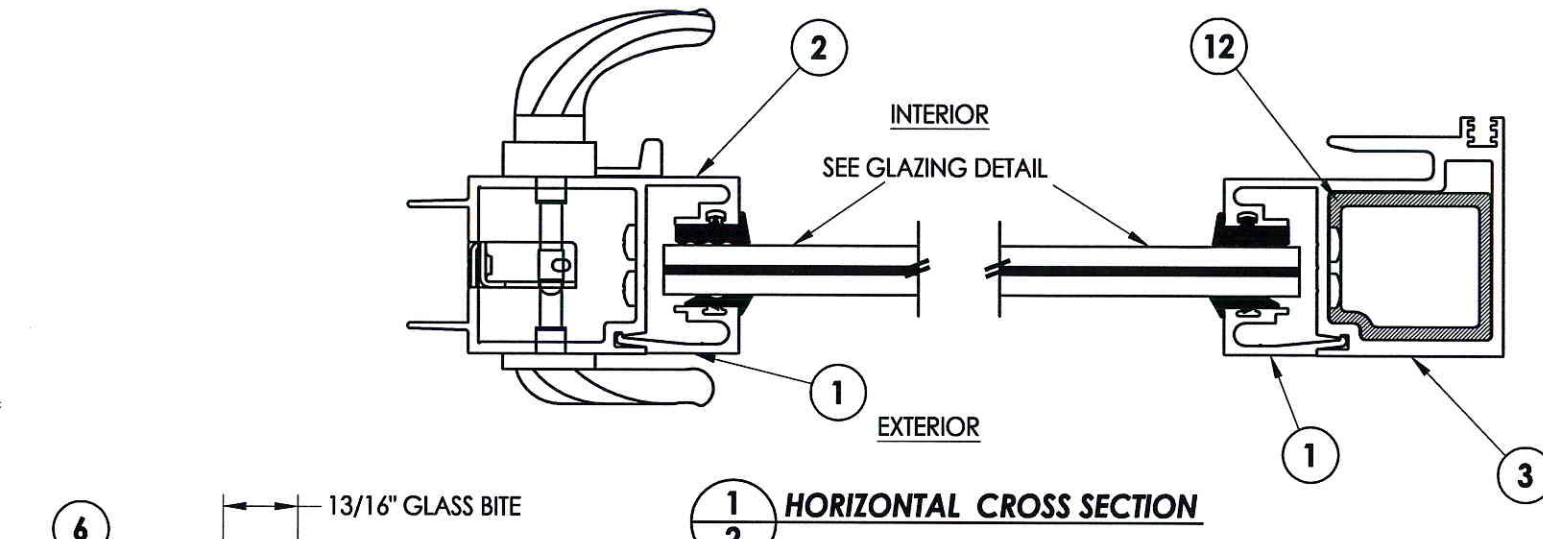
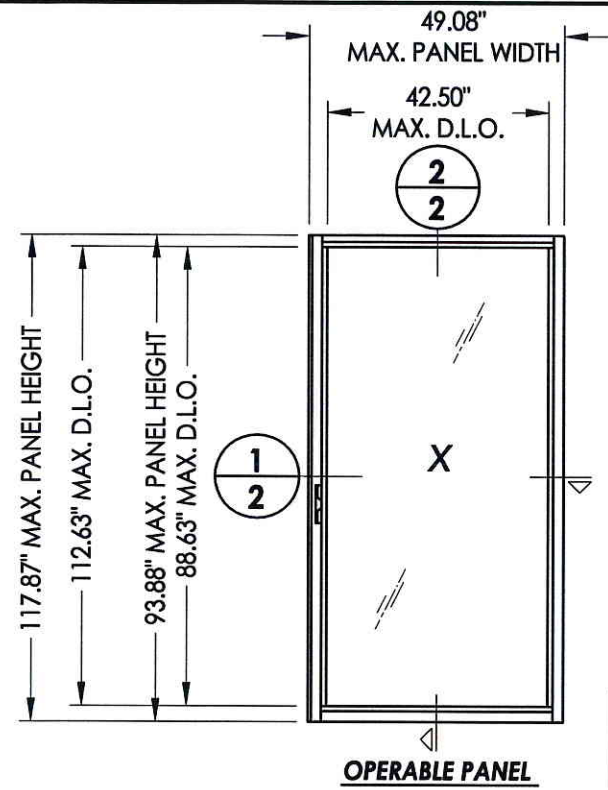
1. This product has been evaluated and is in compliance with the 2010 Florida Building Code (FBC) structural requirements including the "High Velocity Hurricane Zone" (HVHZ).
2. Product anchors shall be as listed and spaced as shown on details. Anchor embedment to base material shall be beyond wall dressing or stucco.
3. When installed greater than 30 feet above grade in areas requiring wind borne debris protection this product complies with Section 1626 of the 2010 FBC and does not require an impact resistant covering. This product meets missile level "A" and includes Wind Zone 4 as defined in ASTM E 1996 and Section 1609.1.2.4 of the FBC.
4. When installed 30 feet or less above grade in areas requiring wind borne debris protection this product must be protected with an impact resistant covering that complies with Section 1626 of the FBC.
5. Site conditions that deviate from the details of this drawing require further engineering analysis by a licensed engineer or registered architect.
6. This product meets water infiltration requirements for "HVHZ".

Documents Prepared By:
RW BUILDING CONSULTANTS, INC.
 P.O. Box 230 Valrico FL 33595
 Phone No.: 813.659.9197
 Florida Board of Professional Engineers
 Certificate Of Authorization No. 9813
LFS 10.16.12
 Lyndon F. Schmidt, P.E. No. 43409

PRODUCT: SLIDING GLASS DOOR
 PART OR ASSEMBLY:
 TYPICAL ELEVATIONS, DESIGN PRESSURES & GENERAL NOTES

NO.	DATE	BY	REVISIONS

DATE: 8/24/12
 SCALE: N.T.S.
 DWG. BY: JK
 CHK. BY: LFS
 DRAWING NO.: FL-15903.2
 SHEET 1 OF 13



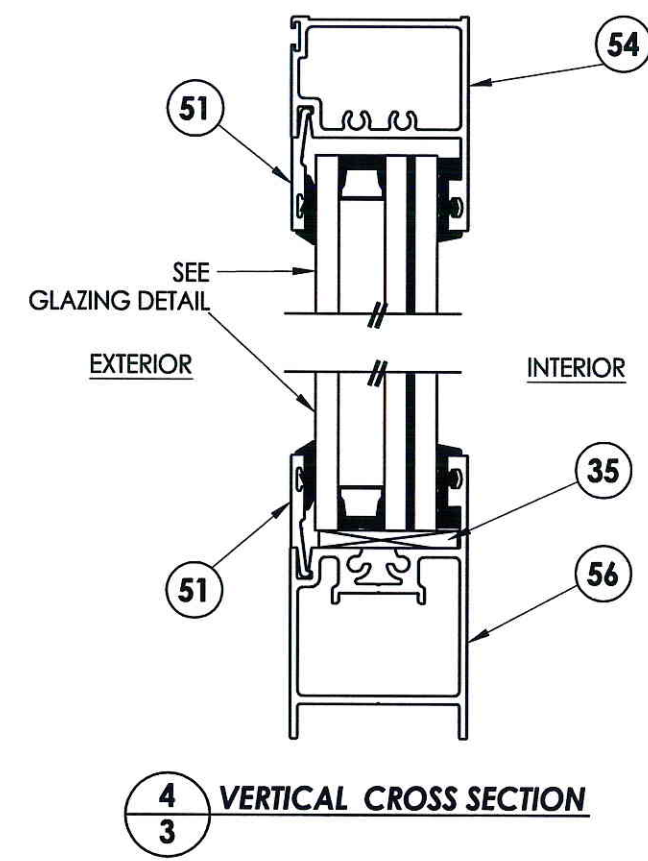
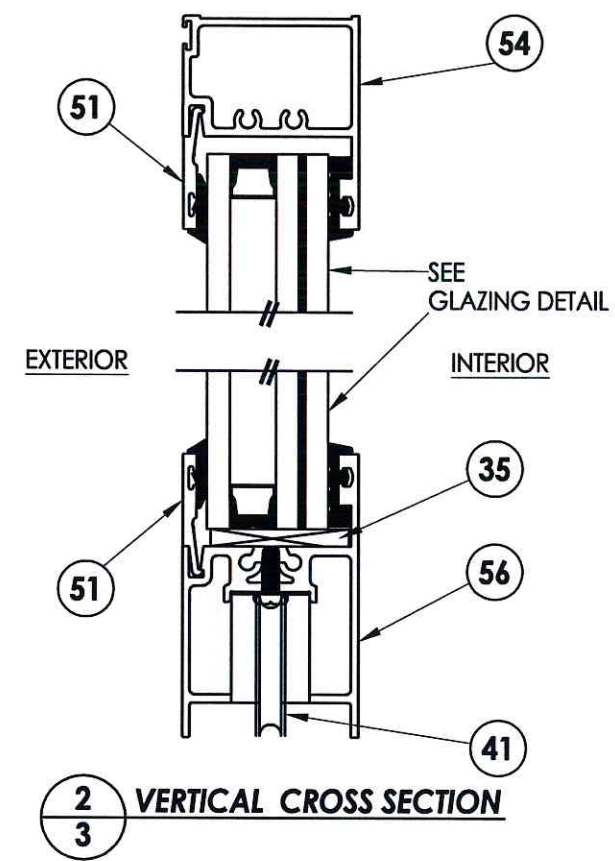
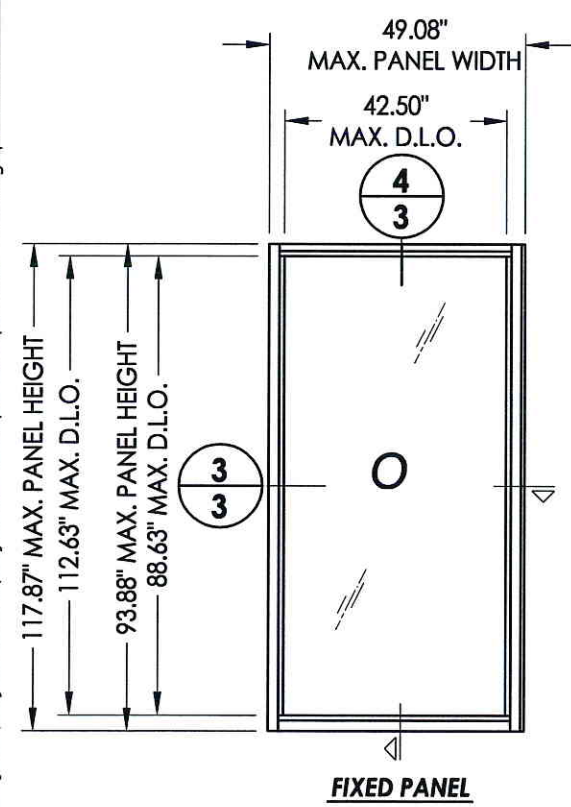
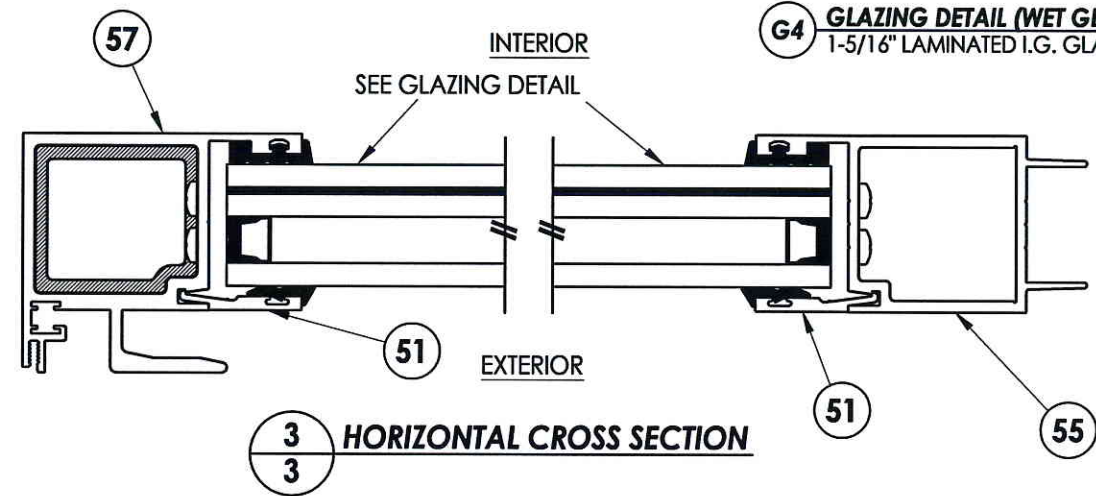
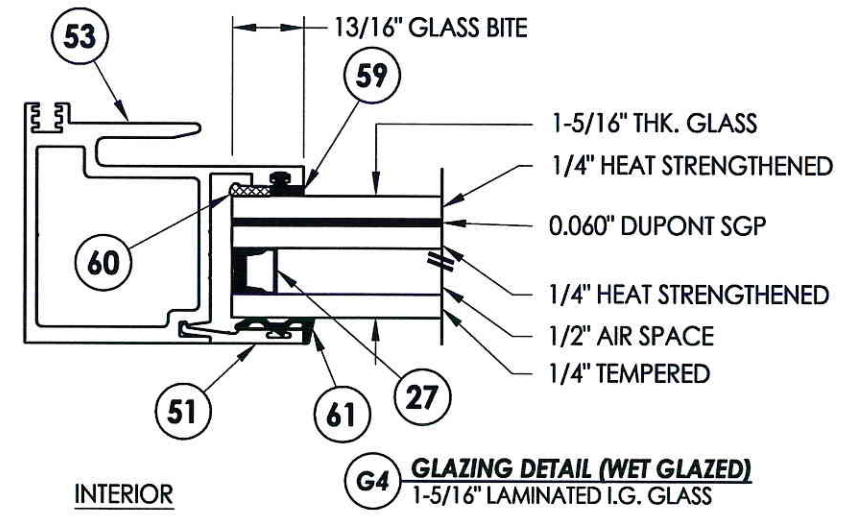
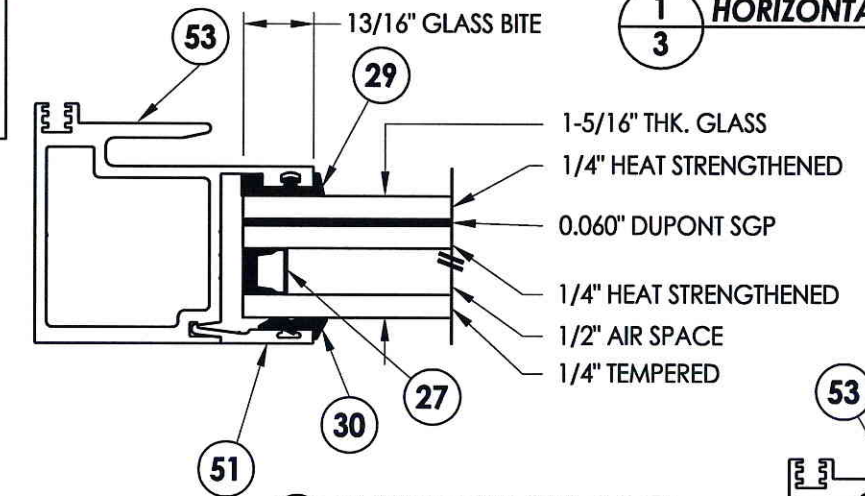
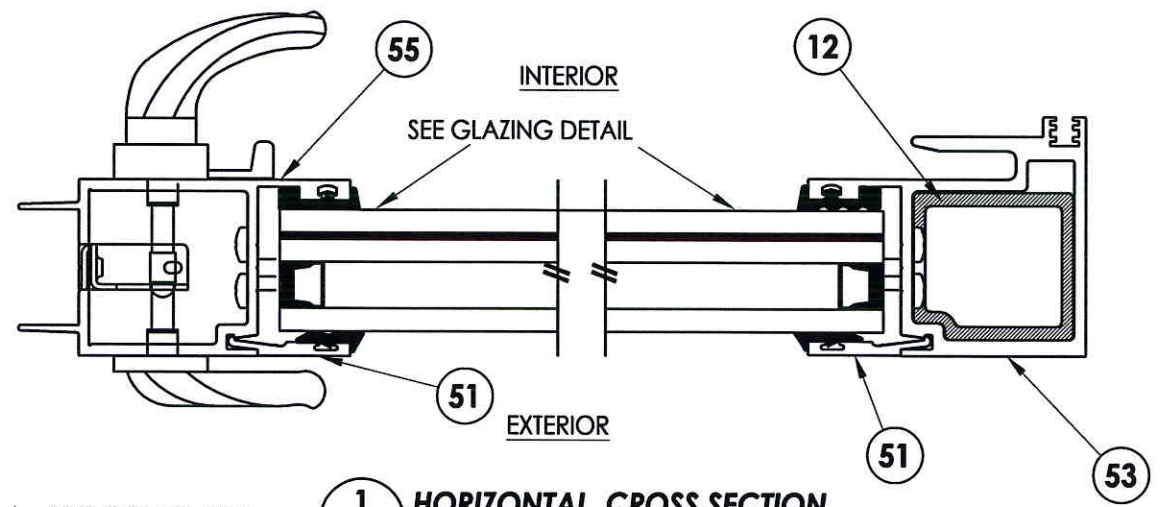
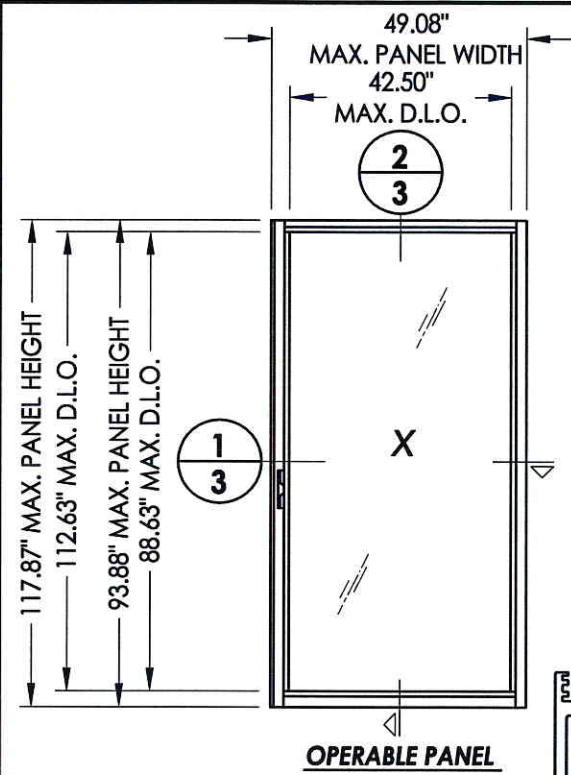
Documents Prepared By:
RW BUILDING CONSULTANTS, INC.
P.O. Box 230 Vairico FL 33595
Phone No.: 813.659.9197
Florida Board of Professional Engineers
Certificate Of Authorization No. 9813
10.16.12
Lyndon F. Schmidt, P.E. No. 43409

PRODUCT: SLIDING GLASS DOOR
PART OR ASSEMBLY: DOOR PANEL DETAILS

NO.	DATE	BY	REVISIONS

DATE: 8/24/12
SCALE: N.T.S.
DWG. BY: JK
CHK. BY: LFS
DRAWING NO.: FL-15903.2
SHEET 2 OF 13

R:\A - Projects\Projects - Eolders\Proj.1601 - 1700\PE.1692\D_RWBC Drawings\EL-15903.1-2.dwg, 2-3



Documents Prepared By: **RW** BUILDING CONSULTANTS, INC.
 P.O. Box 230 Vairico FL. 33595
 Phone No.: 813.659.9197
 Florida Board of Professional Engineers
 Certificate Of Authorization No. 9813
 Lyndon F. Schmidt, P.E. No. 43409

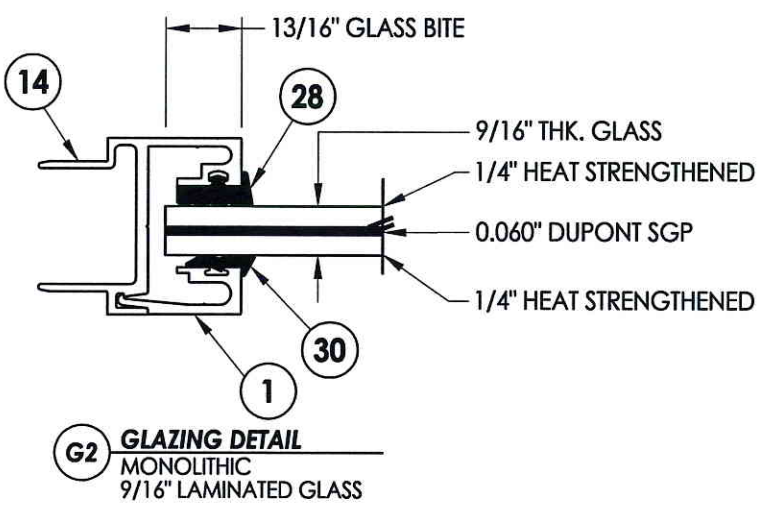
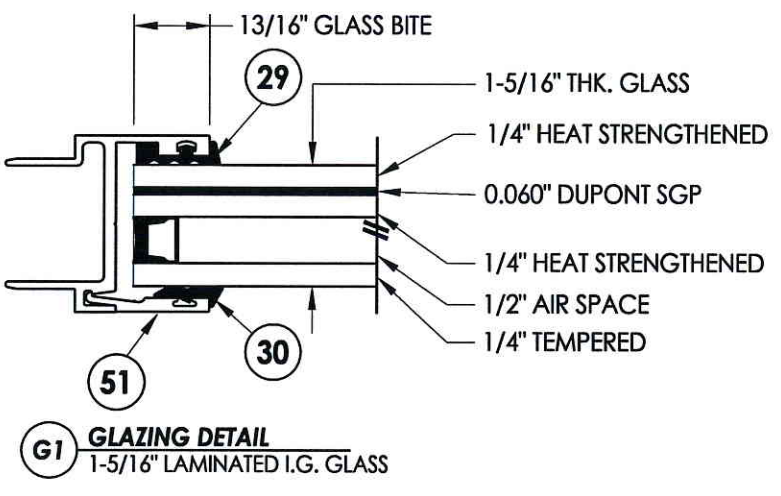
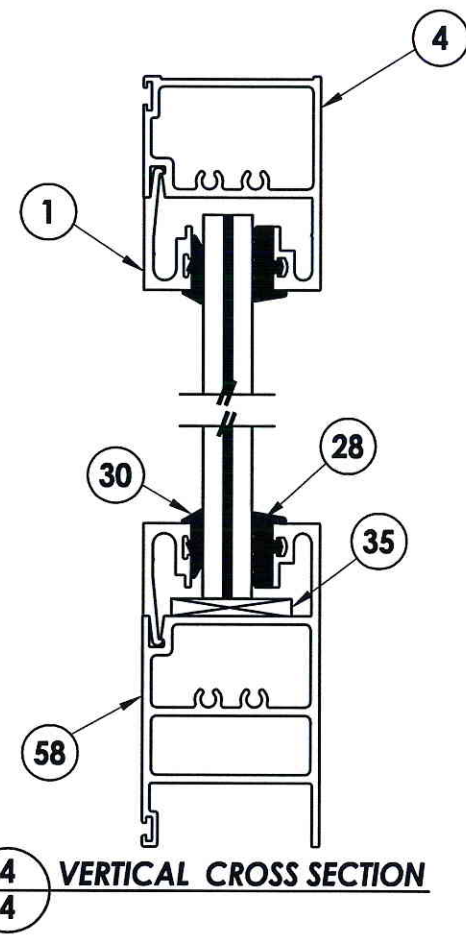
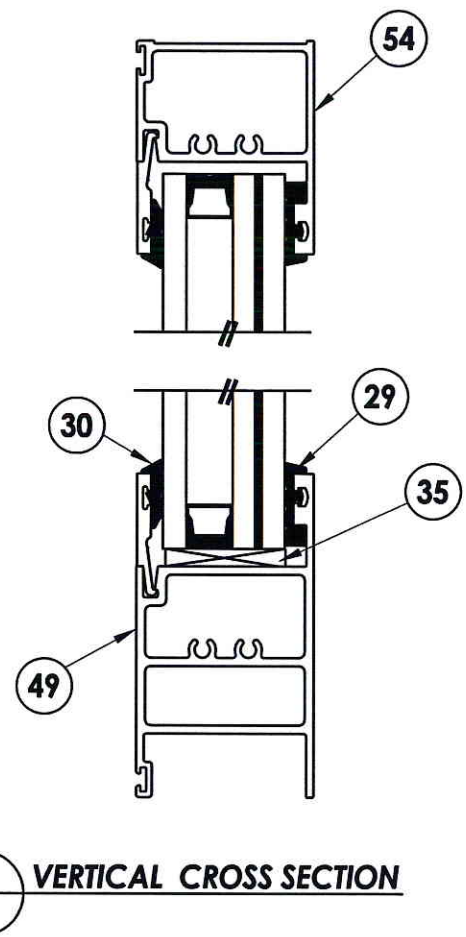
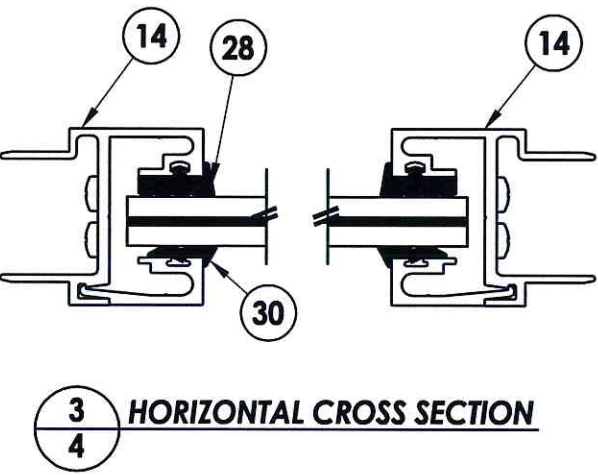
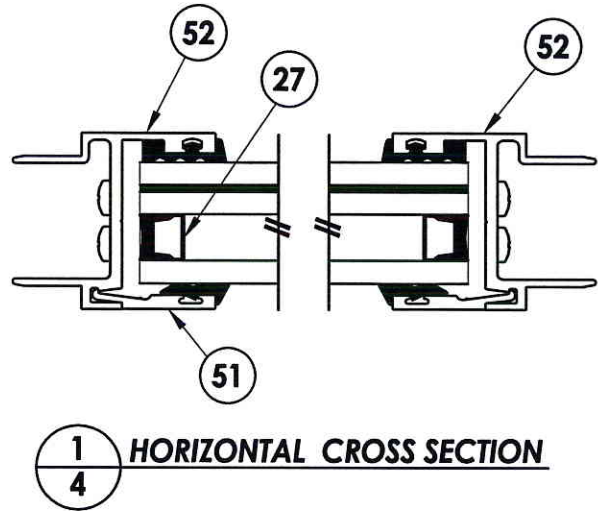
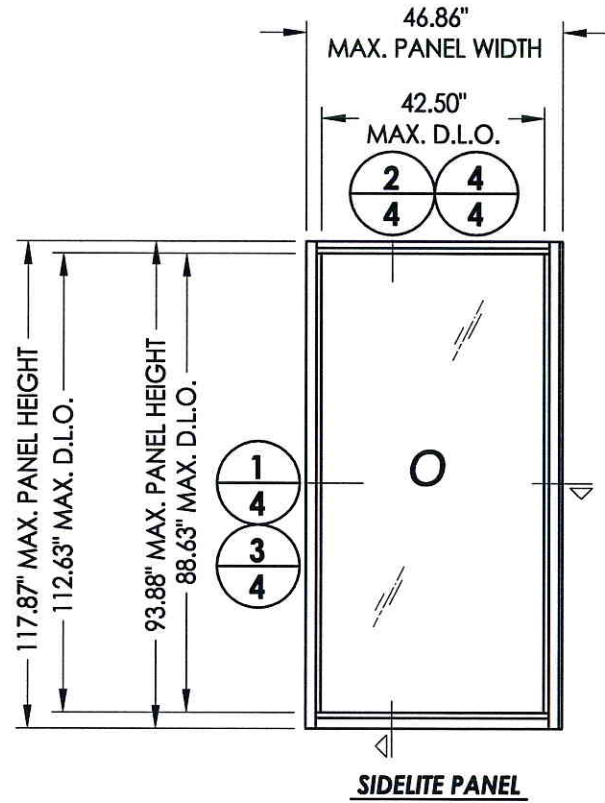
PRODUCT: SLIDING GLASS DOOR

PART OR ASSEMBLY: DOOR PANEL DETAILS

NO.	DATE	BY	REVISIONS

DATE: 8/24/12
 SCALE: N.T.S.
 DWG. BY: JK
 CHK. BY: LFS
 DRAWING NO.: FL-15903.2
 SHEET 3 OF 13

© 2012 R.W. BUILDING CONSULTANTS INC.



Documents Prepared By:

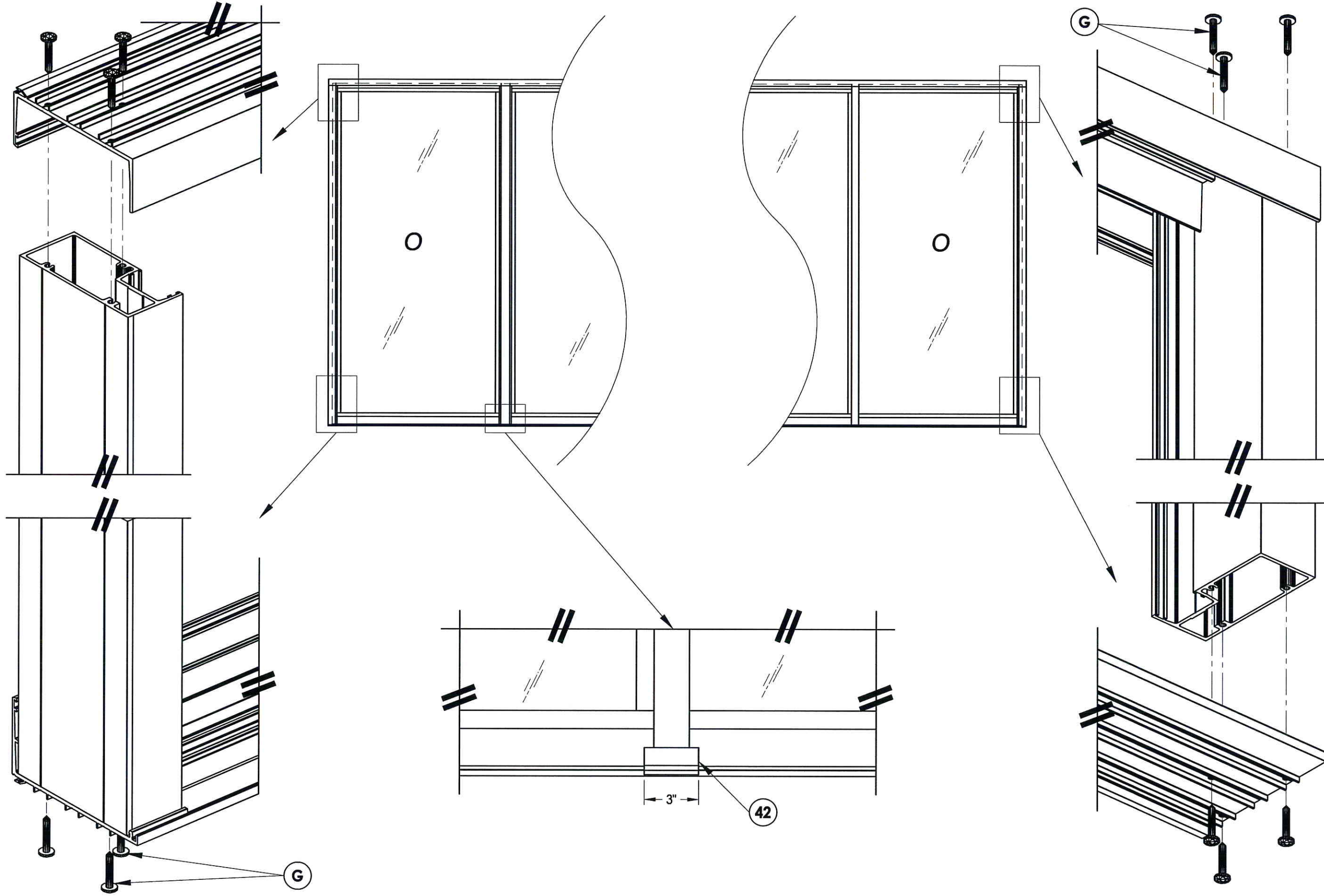
RW BUILDING CONSULTANTS, INC.
P.O. Box 230 Vairoco FL 33595
Phone No.: 813.659.9197
Florida Board of Professional Engineers
Certificate Of Authorization No. 9813
17-02 10-16-12
Lyndon F. Schmidt, P.E. No. 43409

PRODUCT: SLIDING GLASS DOOR
PART OR ASSEMBLY: SIDELITE PANEL DETAILS

REVISIONS	
NO	DATE
BY	

DATE: 8/24/12
SCALE: N.T.S.
DWG. BY: JK
CHK. BY: LFS
DRAWING NO.: FL-15903.2
SHEET 4 OF 13

R:\A - Projects\Project Folders\Proj 1601 - 1700\PF 1692\D. RWBC Drawings\FL-15903.1-2.dwg, 2-5



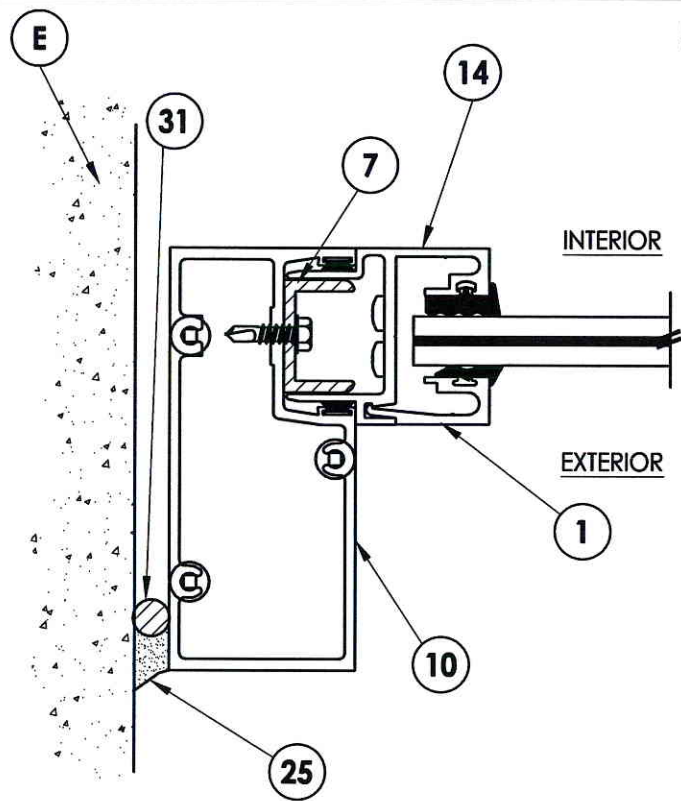
DATE: 8/24/12
 SCALE: N.T.S.
 DWG. BY: JK
 CHK. BY: LFS
 DRAWING NO.: FL-15903.2
 SHEET 5 OF 13

NO.	DATE	REVISIONS	BY

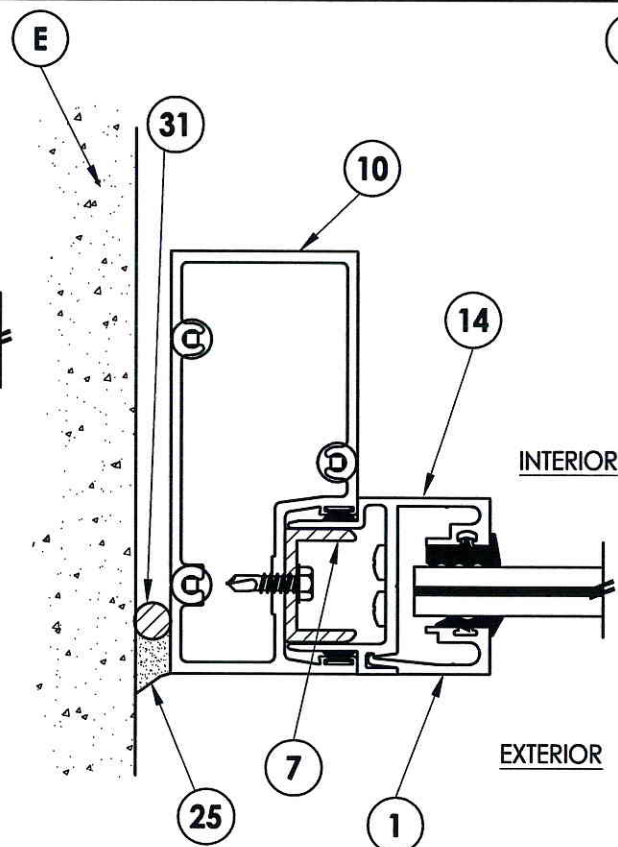
PRODUCT: SLIDING GLASS DOOR
 PART OR ASSEMBLY: CORNER DETAILS

Documents Prepared By:
RW BUILDING CONSULTANTS, INC.
 P.O. Box 230 Valrico FL, 33595
 Phone No.: 813.659.9197
 Florida Board of Professional Engineers
 Certificate Of Authorization No. 9813
LFS 10-16-12
 Lyndon F. Schmidt, P.E. No. 43409

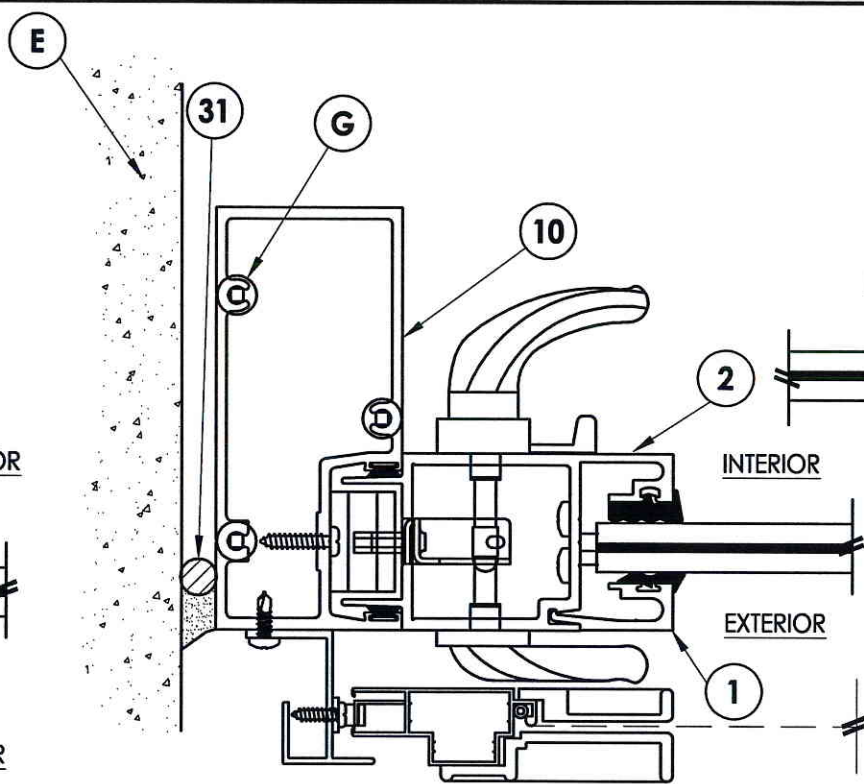
R:\A - Projects\Project - Eolders\Proj.1601 - 1700\PE.1692\D. RWBC Drawings\EL-15903.1-2.dwg, 2-6



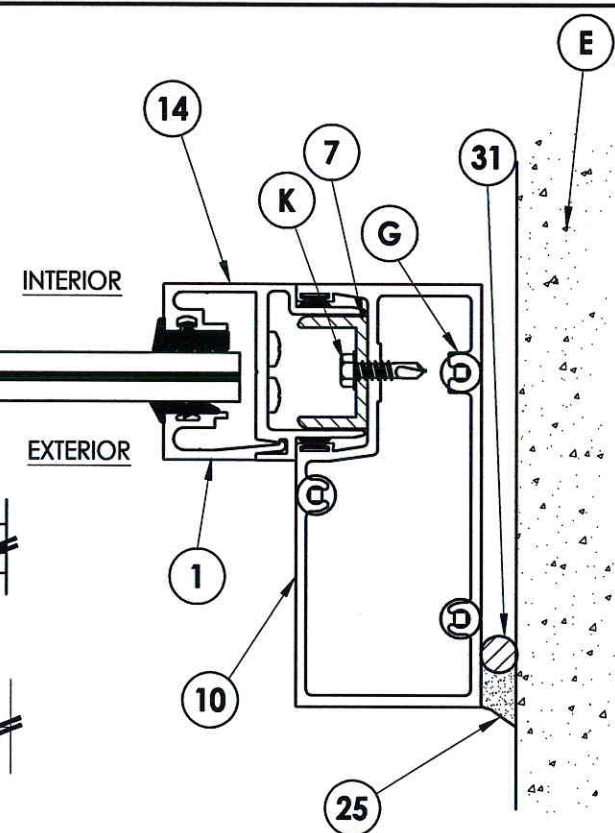
1 HORIZONTAL CROSS SECTION
6 Panel at interior track fixed



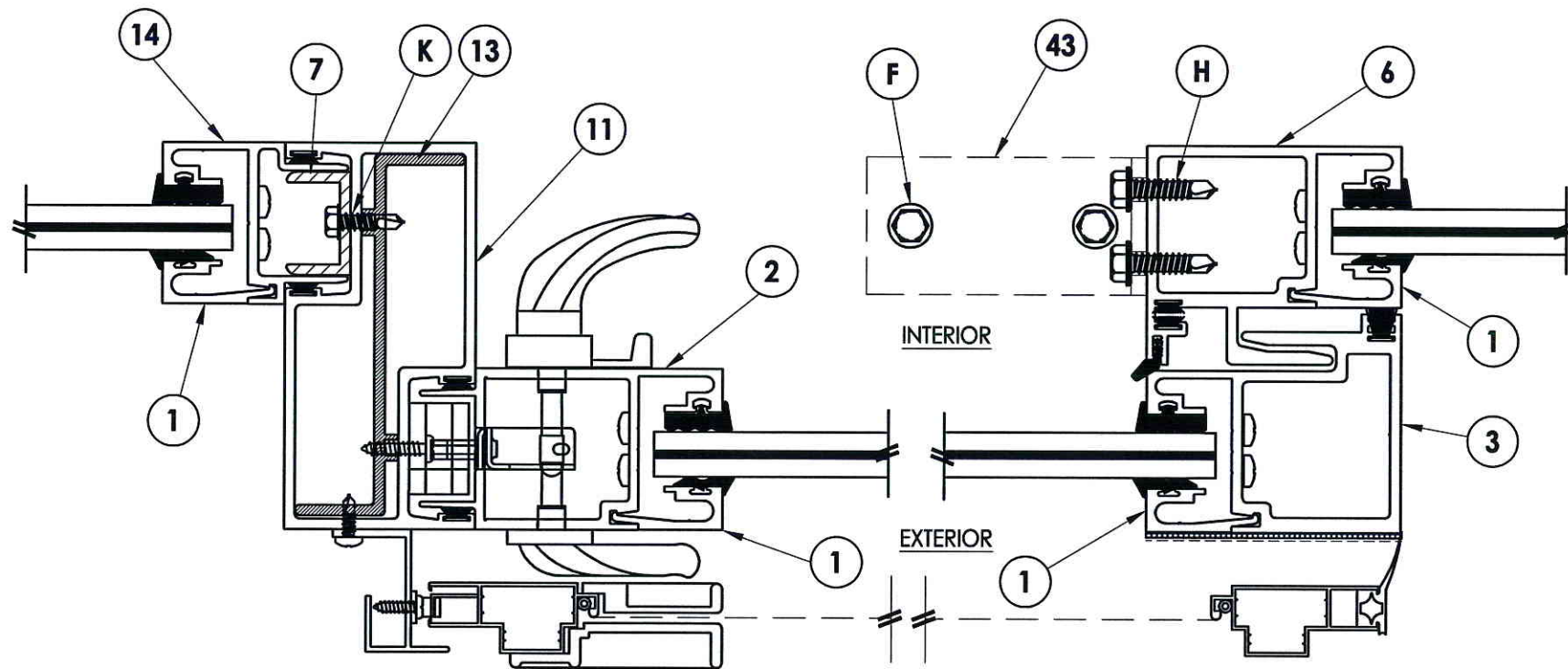
2 HORIZONTAL CROSS SECTION
6 Panel at exterior track fixed



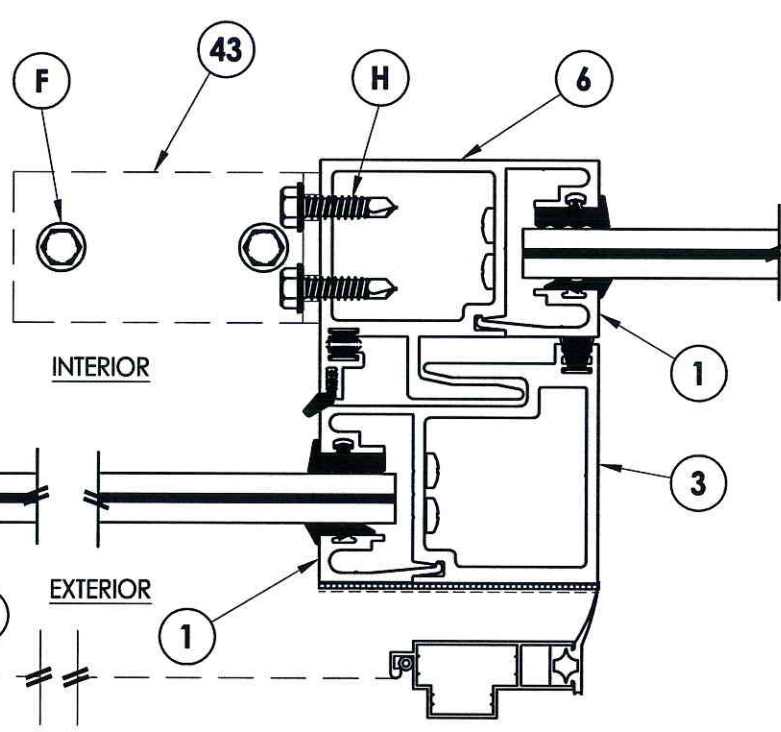
3 HORIZONTAL CROSS SECTION
6



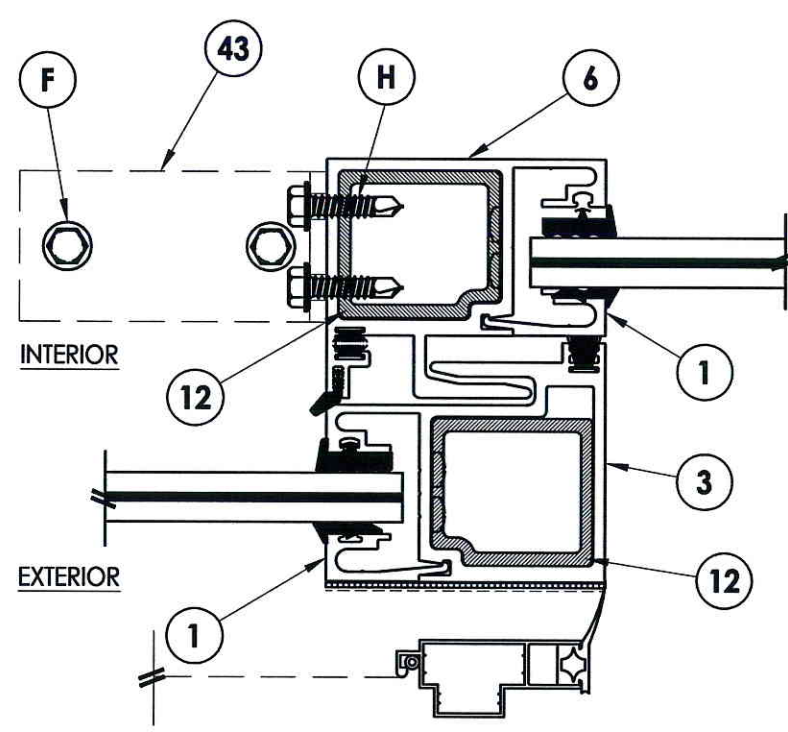
7 HORIZONTAL CROSS SECTION
6



4 HORIZONTAL CROSS SECTION
6 OXO Adapter requires OXO Reinforcement



5 HORIZONTAL CROSS SECTION
6 Without Reinforcement



6 HORIZONTAL CROSS SECTION
6 With Reinforcement

Documents Prepared By:
RW BUILDING CONSULTANTS, INC.
P.O. Box 230 Vairico FL 33595
Phone No.: 813.659.9197
Florida Board of Professional Engineers
Certificate Of Authorization No. 9813
10.16.12
Lyndon F. Schmidt, P.E. No. 43409

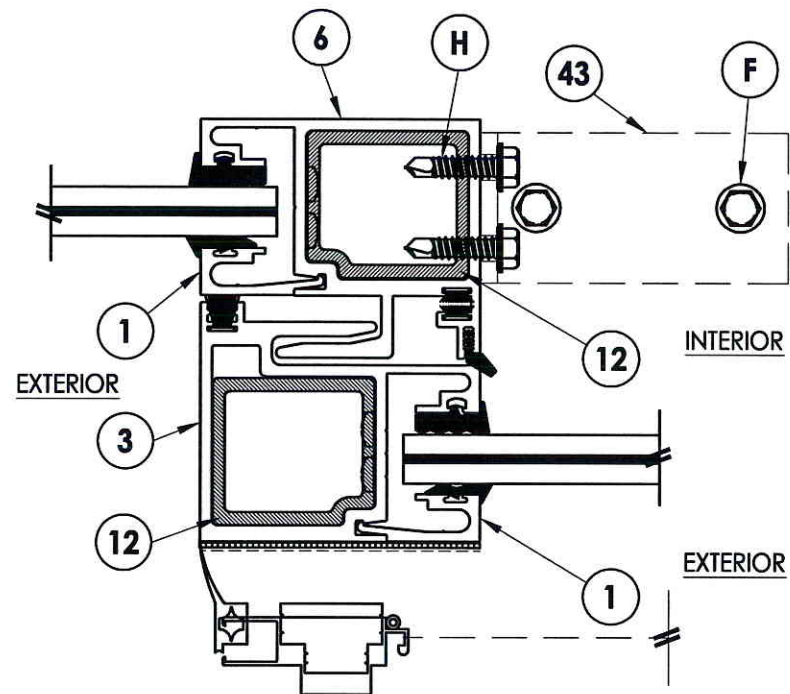
PRODUCT: SLIDING GLASS DOOR
PART OR ASSEMBLY: HORIZONTAL CROSS SECTIONS

NO.	DATE	BY	REVISIONS

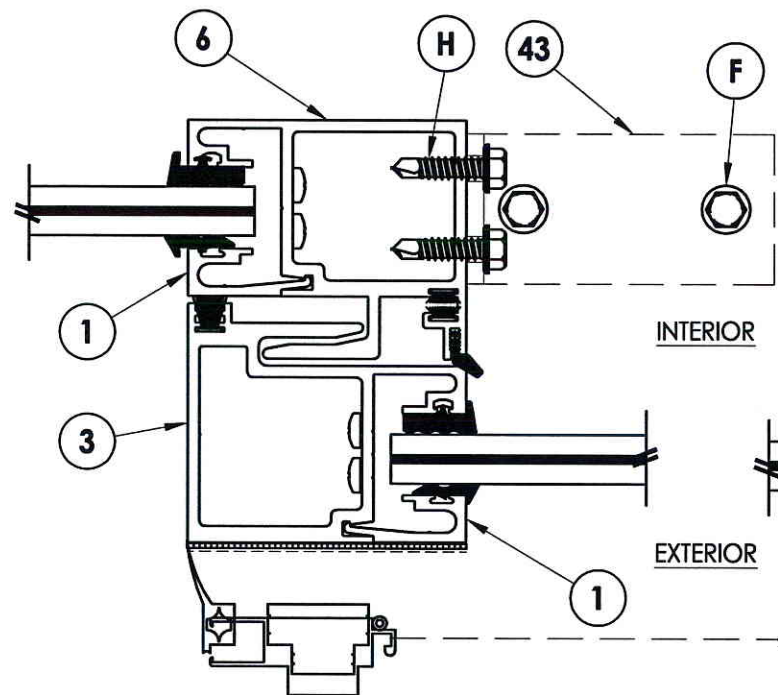
DATE: 8/24/12
SCALE: N.T.S.
DWG. BY: JK
CHK. BY: LFS
DRAWING NO.: FL-15903.2
SHEET 6 OF 13

© 2012 R.W. BUILDING CONSULTANTS INC.

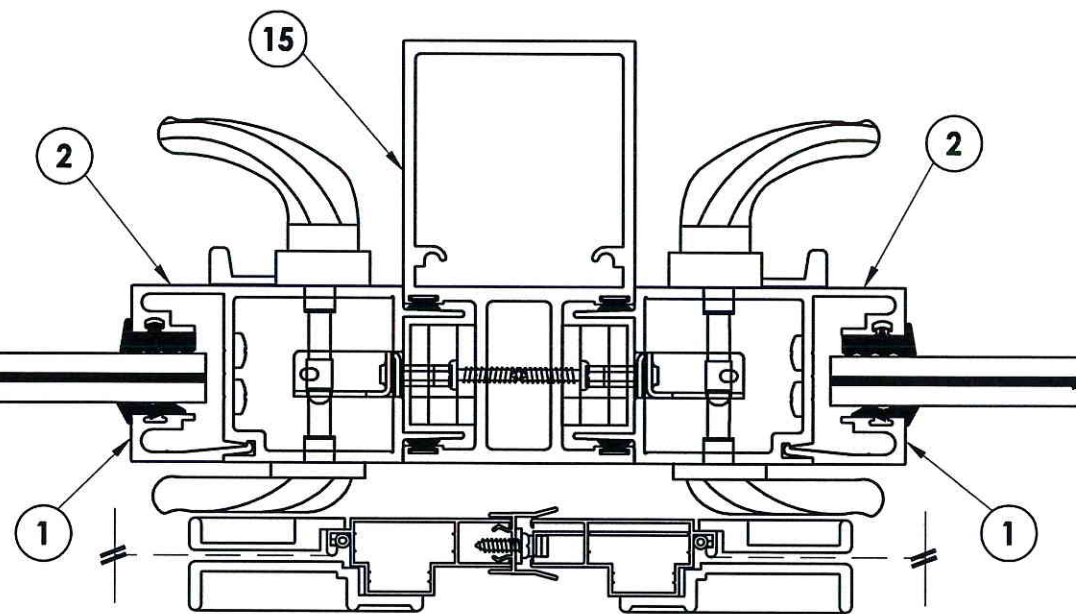
P:\A - Projects\Project - Eolders\Proj.1601 - 1700\PE.1692.D_RWBC Drawings\EL-15903.1-2.dwg, 2-7



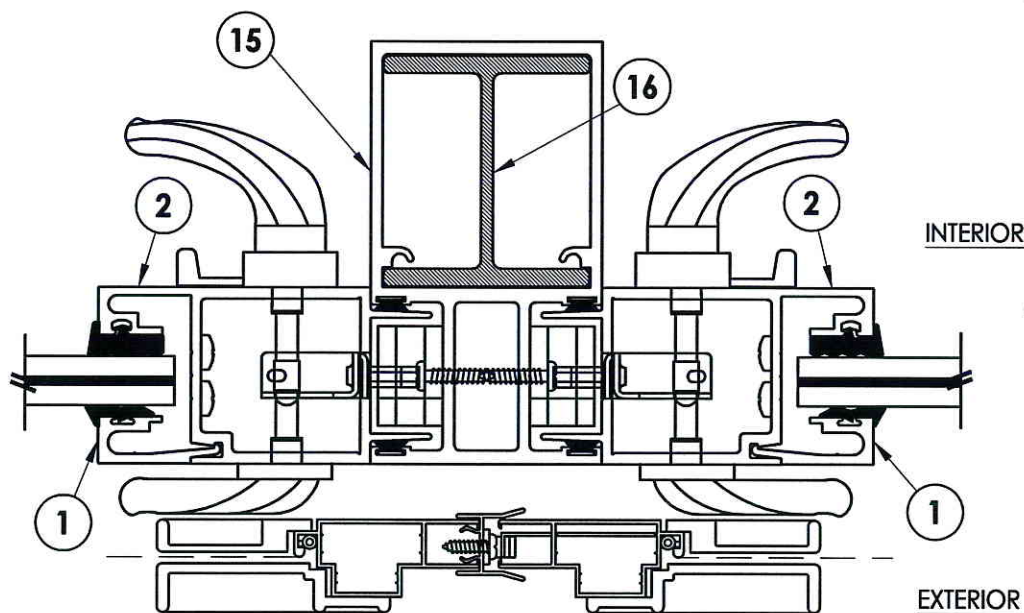
1 HORIZONTAL CROSS SECTION
7 With Reinforcement



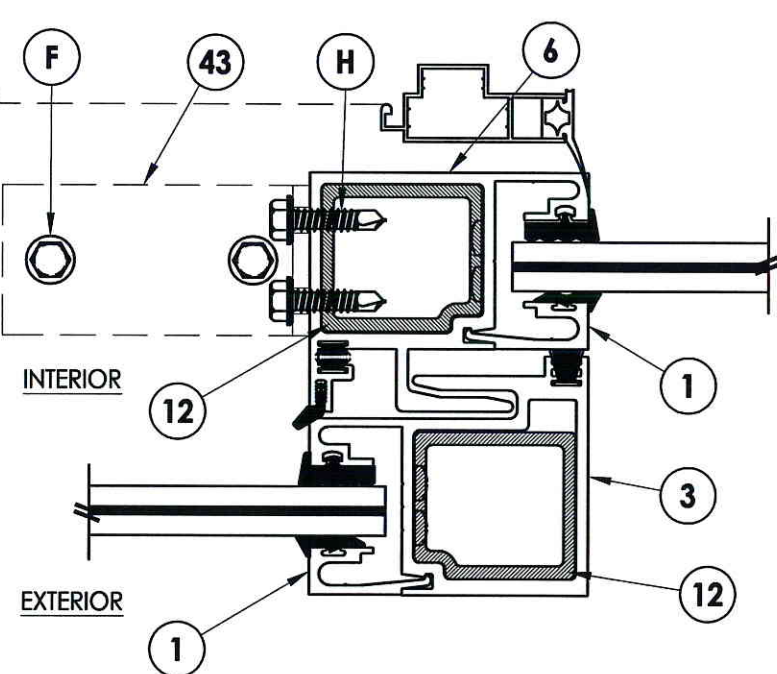
2 HORIZONTAL CROSS SECTION
7 Without Reinforcement



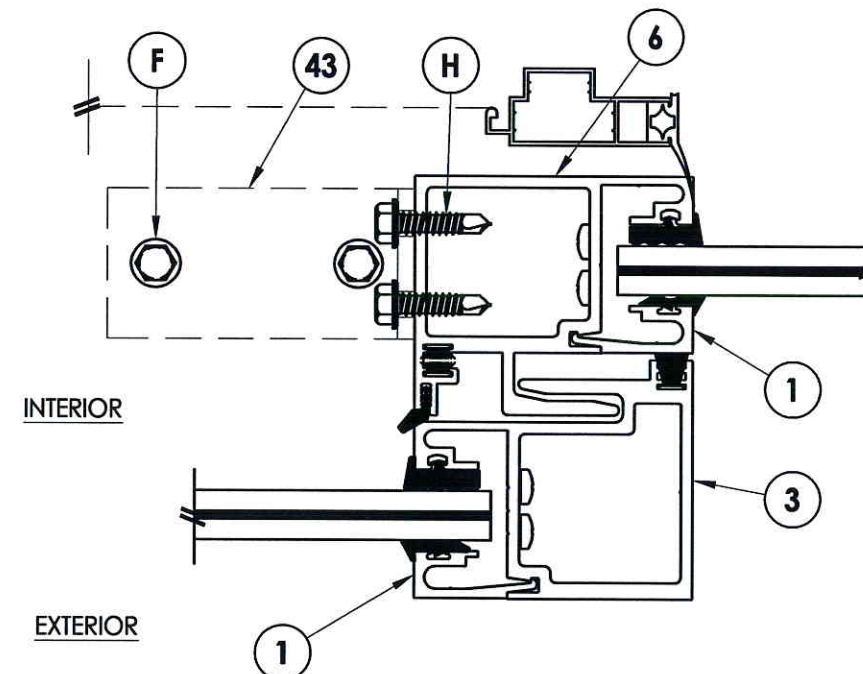
4 HORIZONTAL CROSS SECTION
7 Without Reinforcement



3 HORIZONTAL CROSS SECTION
7 With Reinforcement



5 HORIZONTAL CROSS SECTION
7 With Reinforcement
With interior screen



6 HORIZONTAL CROSS SECTION
7 Without Reinforcement
With interior screen

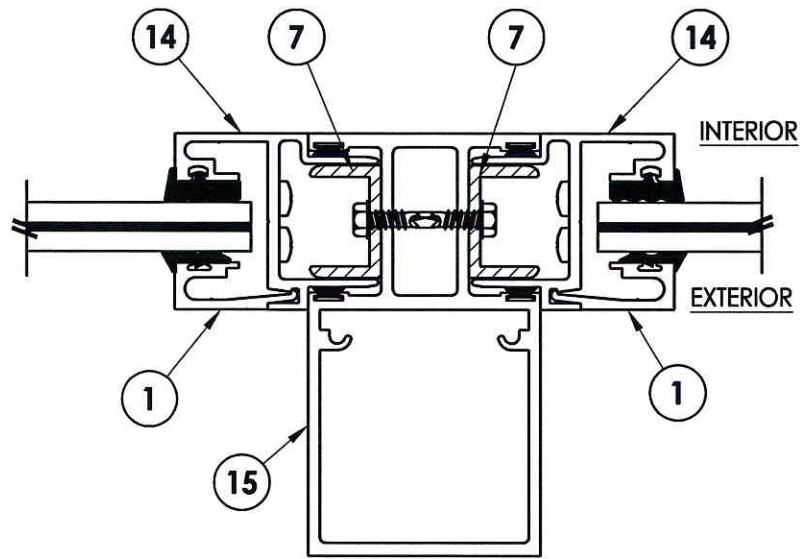
Documents Prepared By:
RW BUILDING CONSULTANTS, INC.
P.O. Box 230 Vairico FL 33595
Phone No.: 813.659.9197
Florida Board of Professional Engineers
Certificate of Authorization No. 9813
17-10-16-12
Lyndon F. Schmidt, P.E. No. 43409

PRODUCT: SLIDING GLASS DOOR
PART OR ASSEMBLY: HORIZONTAL CROSS SECTIONS

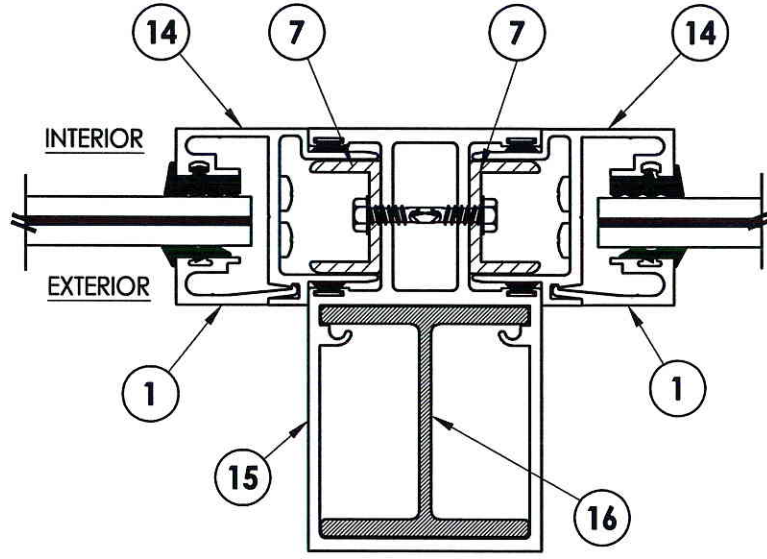
NO.	DATE	BY

DATE: 8/24/12
SCALE: N.T.S.
DWG. BY: JK
CHK. BY: LFS
DRAWING NO.: FL-15903.2
SHEET 7 OF 13

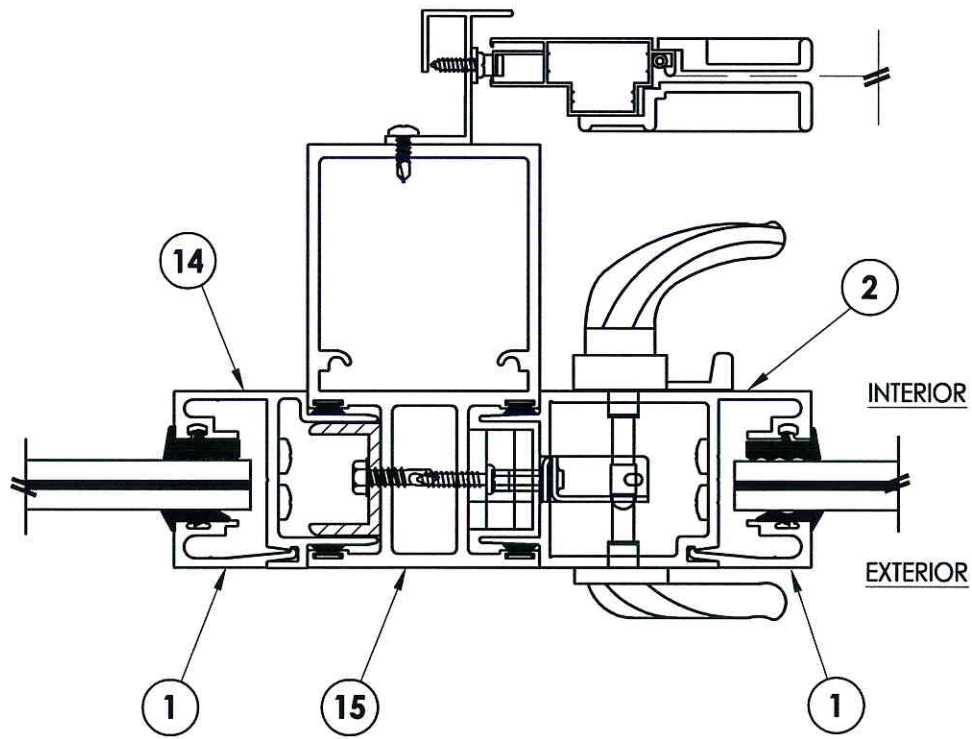
P:\A - Projects\Project - Eolders\Proj. 1601 - 1700\PE.1692\D. RWBC Drawings\EL-15903.1-2.dwg. 2-8



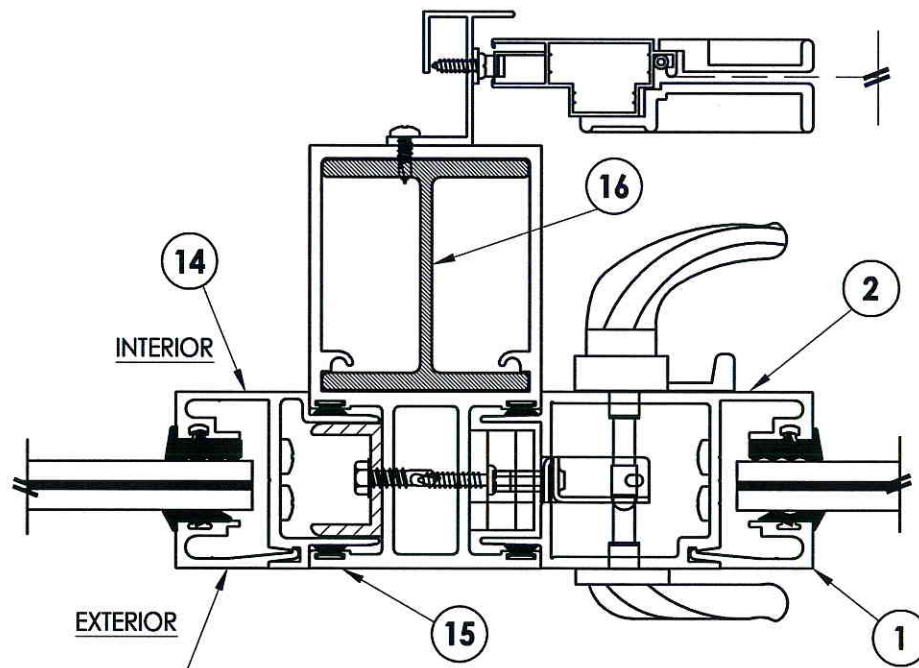
1 HORIZONTAL CROSS SECTION
8 Without Reinforcement
Panel at interior track fixed



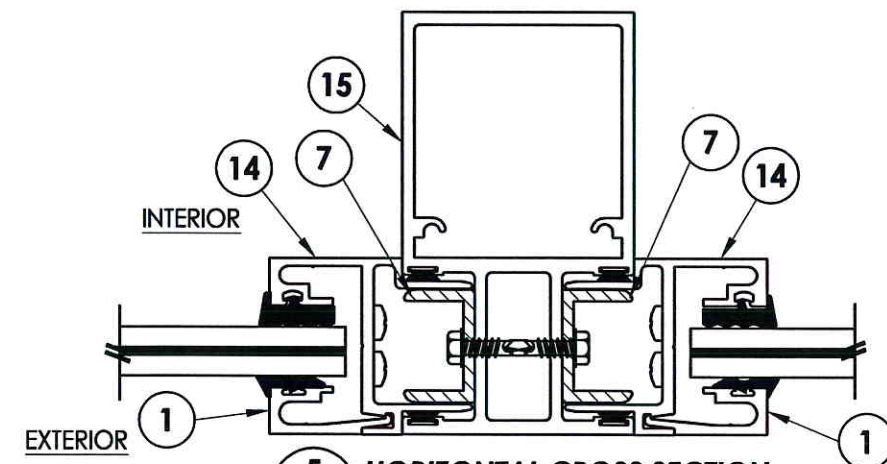
2 HORIZONTAL CROSS SECTION
8 With Reinforcement
Panel at interior track fixed



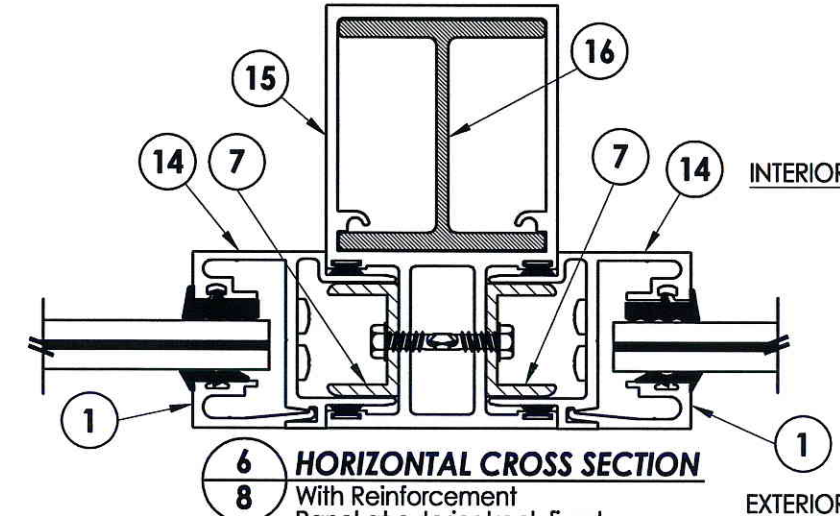
3 HORIZONTAL CROSS SECTION
8 Without Reinforcement
Panel at exterior track fixed



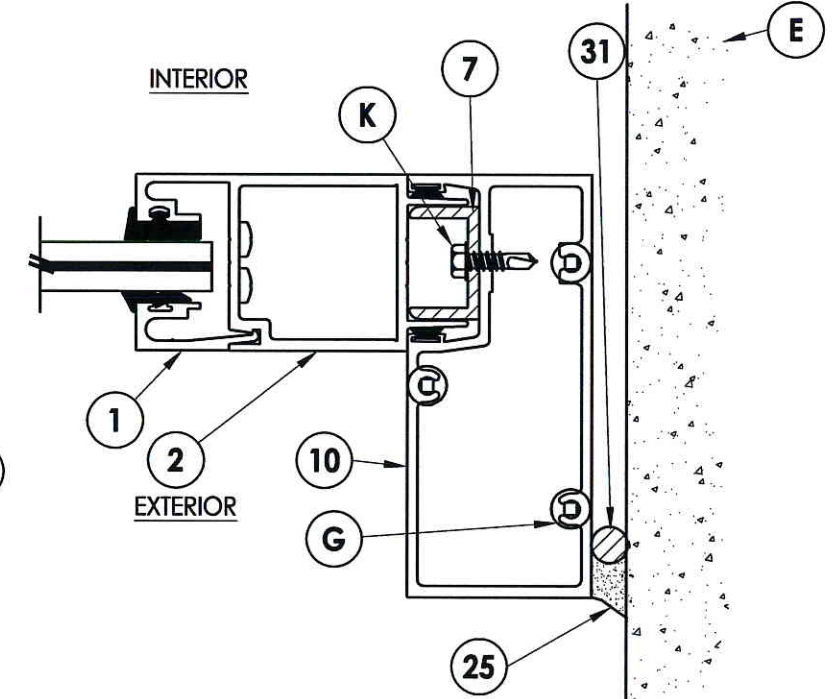
4 HORIZONTAL CROSS SECTION
8 With Reinforcement
Panel at exterior track fixed



5 HORIZONTAL CROSS SECTION
8 Without Reinforcement
Panel at exterior track fixed



6 HORIZONTAL CROSS SECTION
8 With Reinforcement
Panel at exterior track fixed



7 HORIZONTAL CROSS SECTION
8 Panel at interior track fixed

Documents Prepared By:

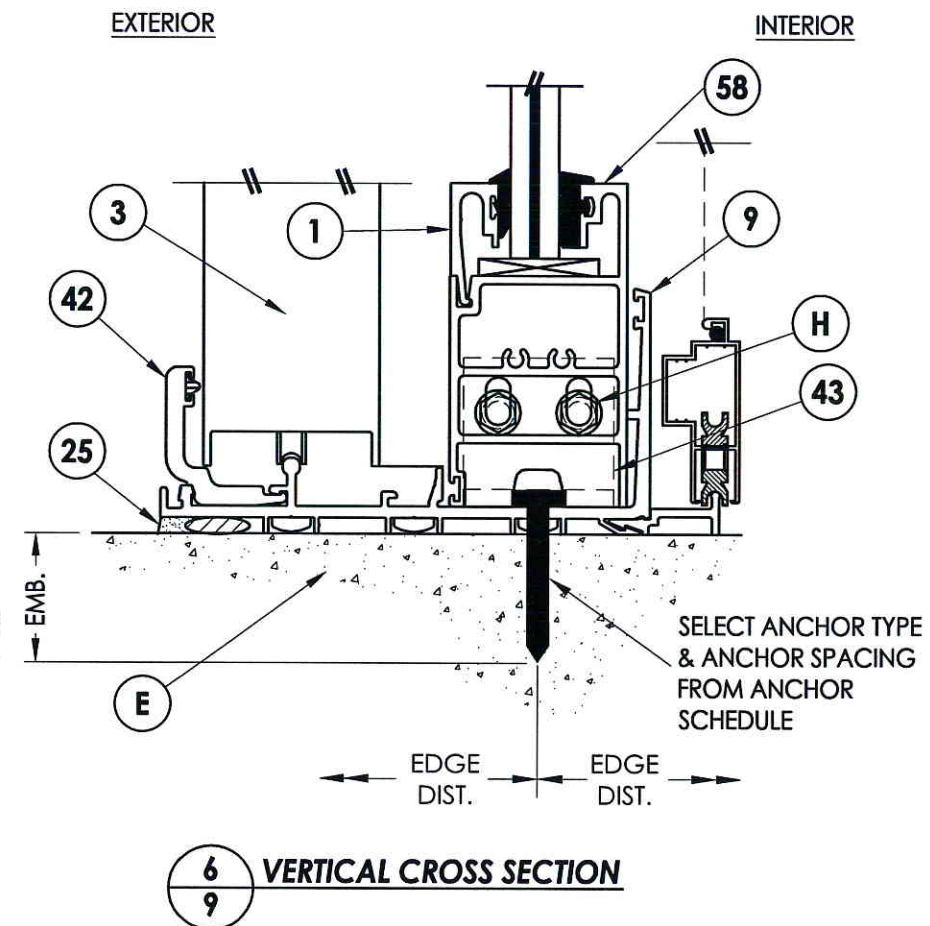
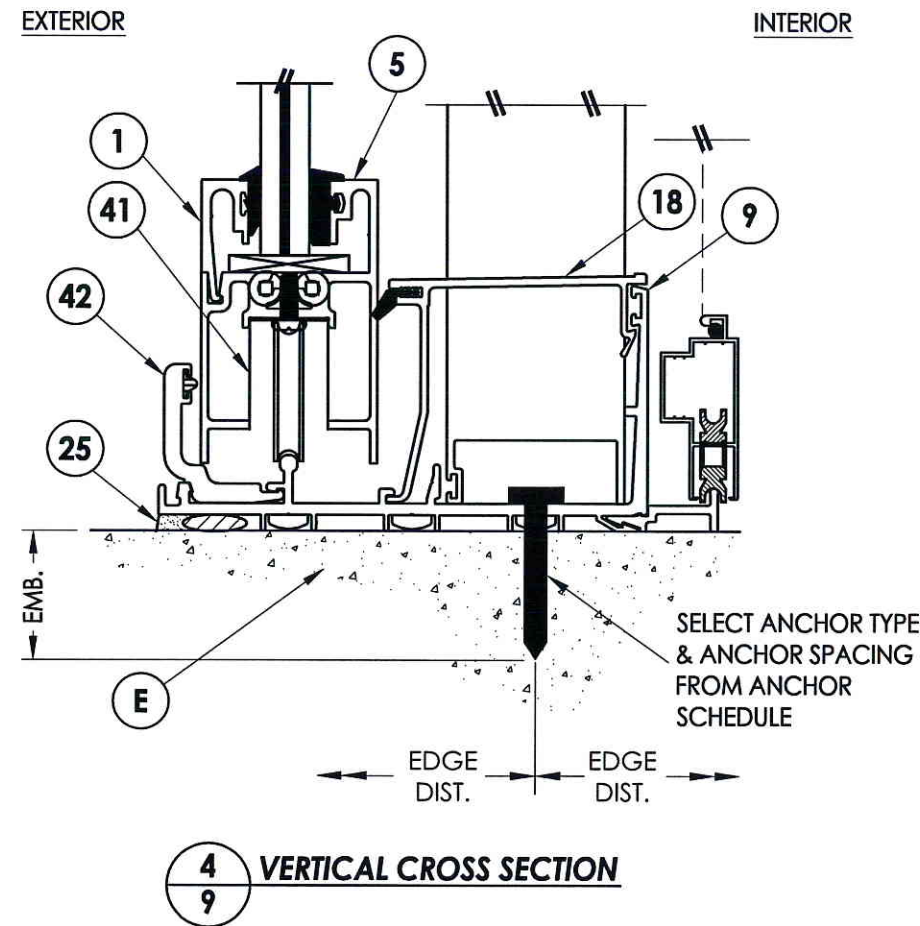
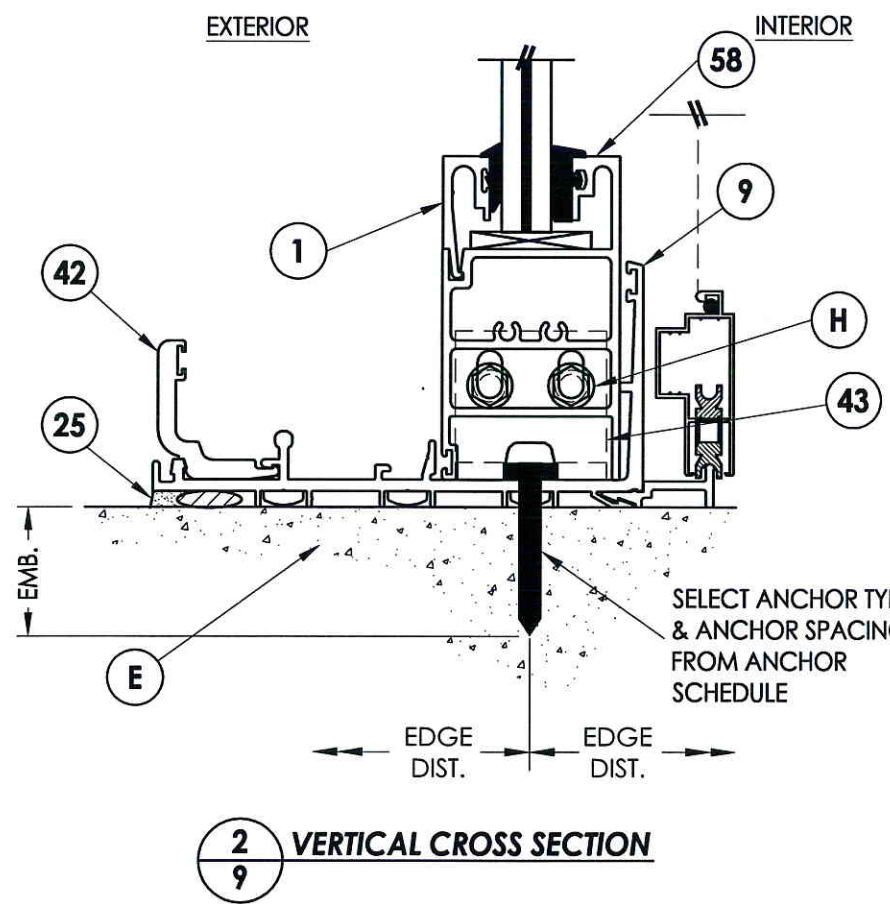
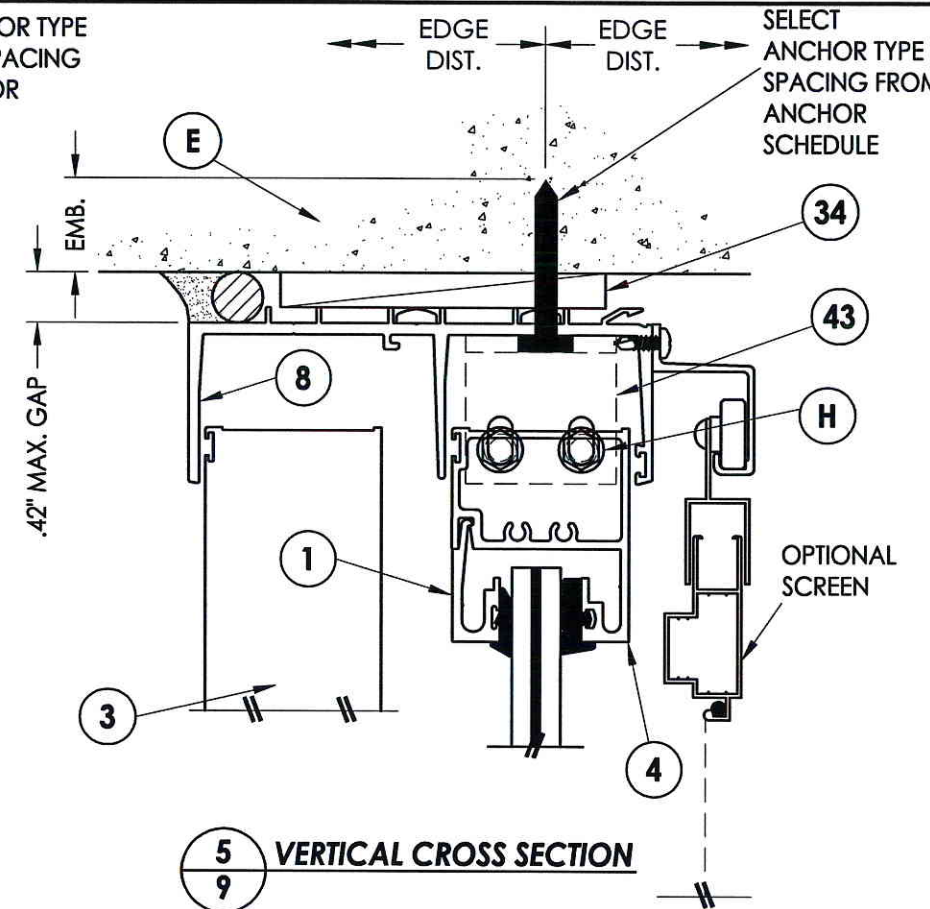
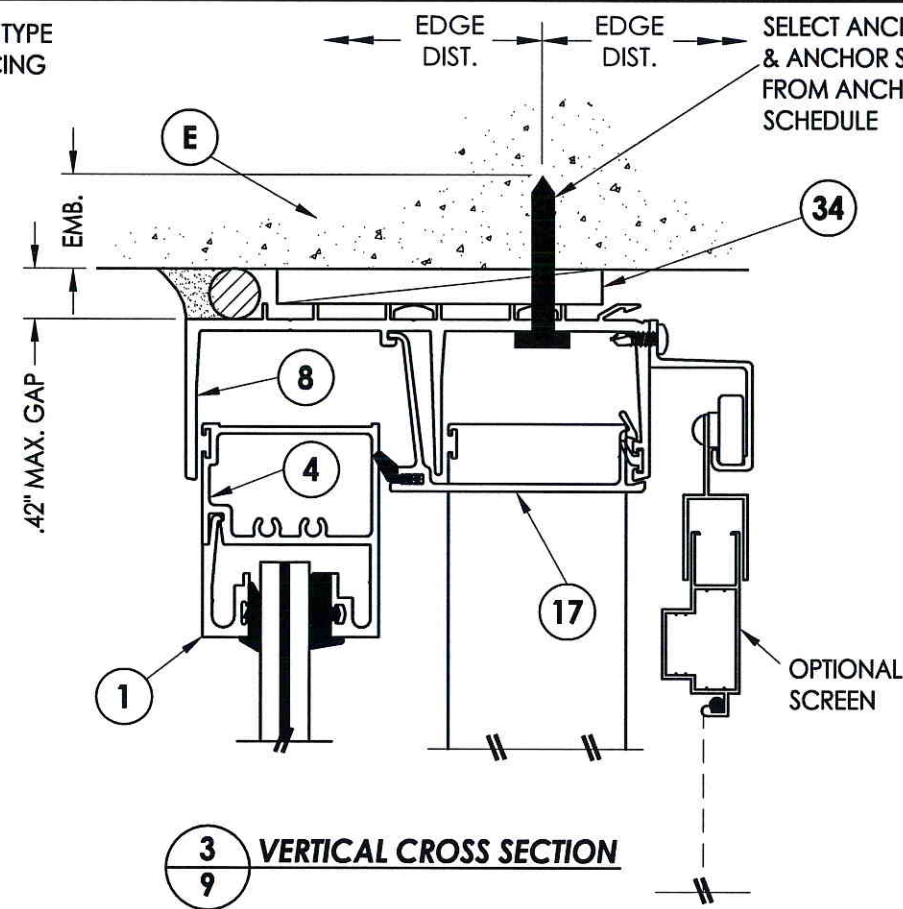
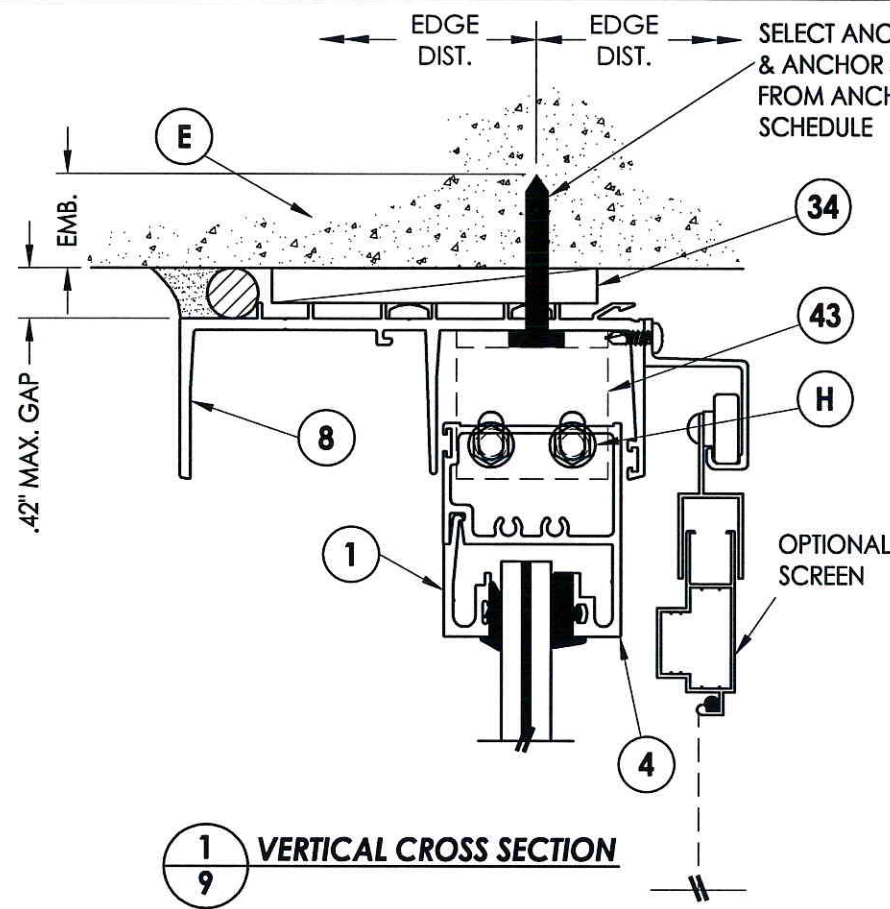
RW BUILDING CONSULTANTS, INC.
P.O. Box 230 Valrico FL 33595
Phone No.: 813.659.9197
Florida Board of Professional Engineers
Certificate Of Authorization No. 9813
L7-EL 10.16.12
Lyndon F. Schmidt, P.E. No. 43409

PRODUCT: SLIDING GLASS DOOR
PART OR ASSEMBLY: HORIZONTAL CROSS SECTIONS

NO.	DATE	BY	REVISIONS

DATE: 8/24/12
SCALE: N.T.S.
DWG. BY: JK
CHK. BY: LFS
DRAWING NO.: FL-15903.2
SHEET 8 OF 13

R:\A - Projects\Project - Folders\Proj. 1601 - 1700\PE. 1692\DWG. R\WBC Drawings\EL-15903. 1-2.dwg, 2-9



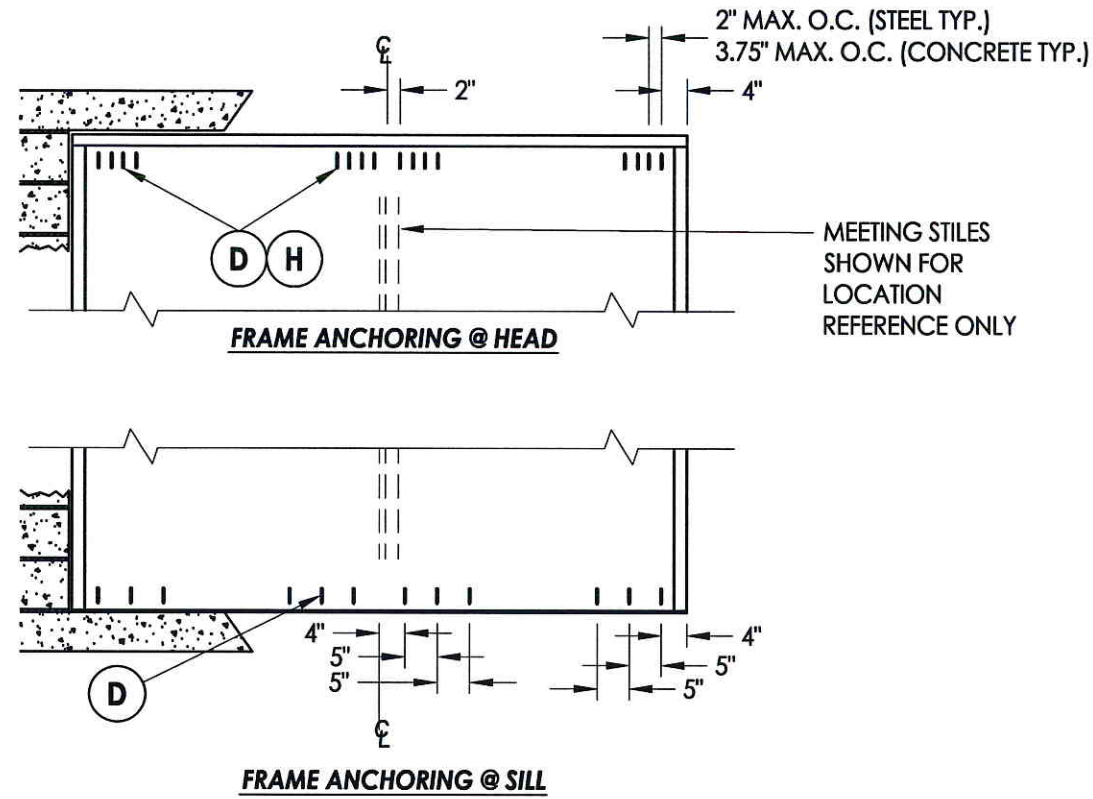
Documents Prepared By:
RW BUILDING CONSULTANTS, INC.
 P.O. Box 230 Valrico FL 33595
 Phone No.: 813.659.9197
 Florida Board of Professional Engineers
 Certificate of Authorization No. 9813
 278 10.16.12
 Lyndon F. Schmidt, P.E. No. 43409

PRODUCT: SLIDING GLASS DOOR
 PART OR ASSEMBLY: VERTICAL CROSS SECTIONS

NO.	DATE	BY	REVISIONS

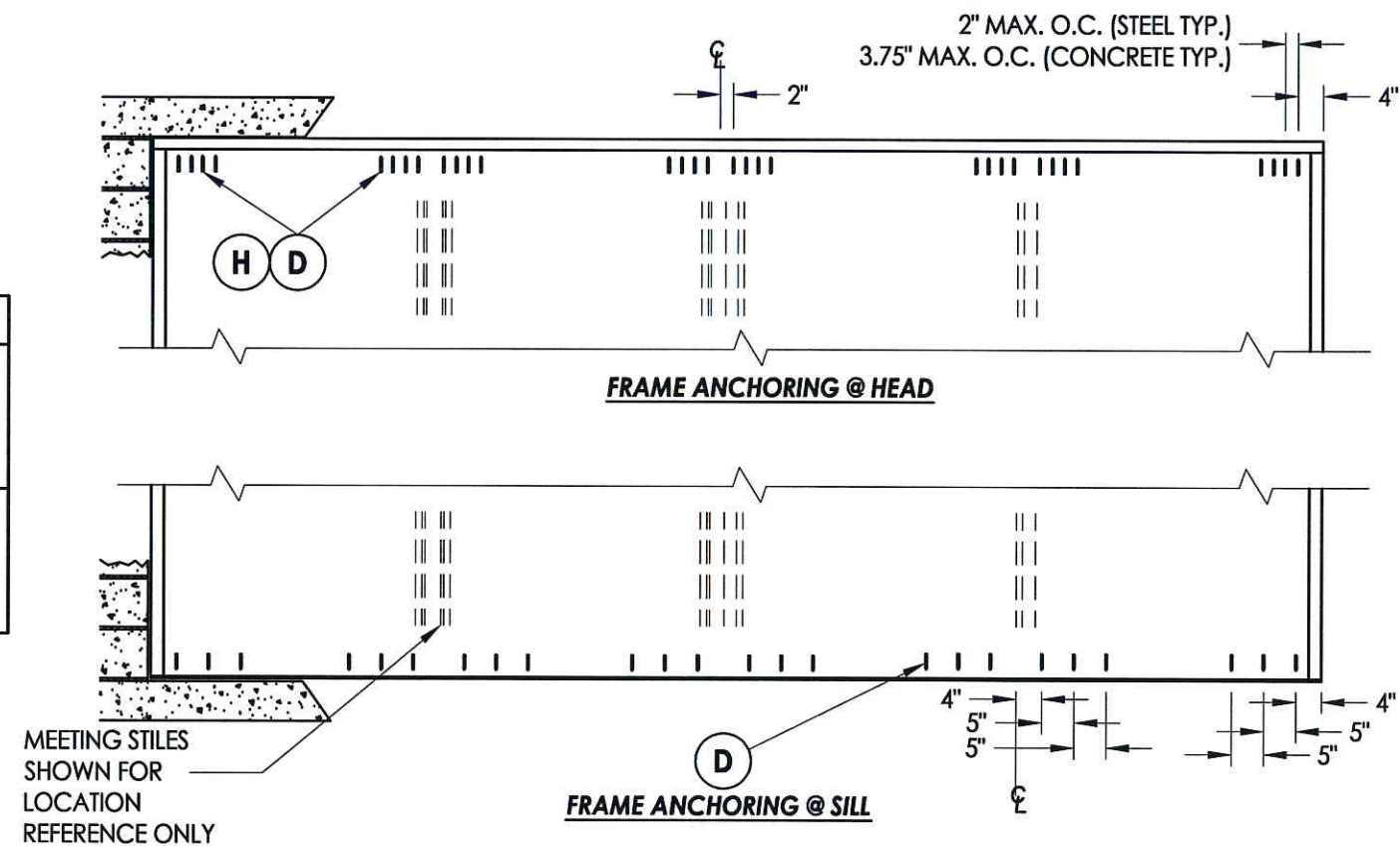
DATE: 8/24/12
 SCALE: N.T.S.
 DWG. BY: JK
 CHK. BY: LFS
 DRAWING NO.: FL-15903.2
 SHEET 9 OF 13

R:\A - Projects\Project - Endlers\Proj.1601 - 1700\PE.1692\DWG. RWBC Drawings\EL-15903.1-2.dwg, 2-10



MAX. DP ≤ 75 PSF

SUBSTRATE		ANCHOR SCHEDULE
CONCRETE	(D)	5/16" x 2-3/4" ITW (XL) HWH concrete screw with 1.75" Min. embedment, 2-3/16" minimum edge distance and 3.75" minimum clearance to adjacent concrete anchors. Concrete is 2,899 PSI minimum conforming to ACI 301.
STEEL	(H)	1/4"-20 HWH Hilti KWIK PRO self-drilling screws. Steel with 0.125" minimum wall thickness conforming to ASTM A500 Grade B, Fy = 46,000 PSI & Fu = 58,000 PSI or ASTM A653, Fy = 33,000 PSI, Fu = 45,000 PSI. Minimum embedment of 3 threads through steel substrate.



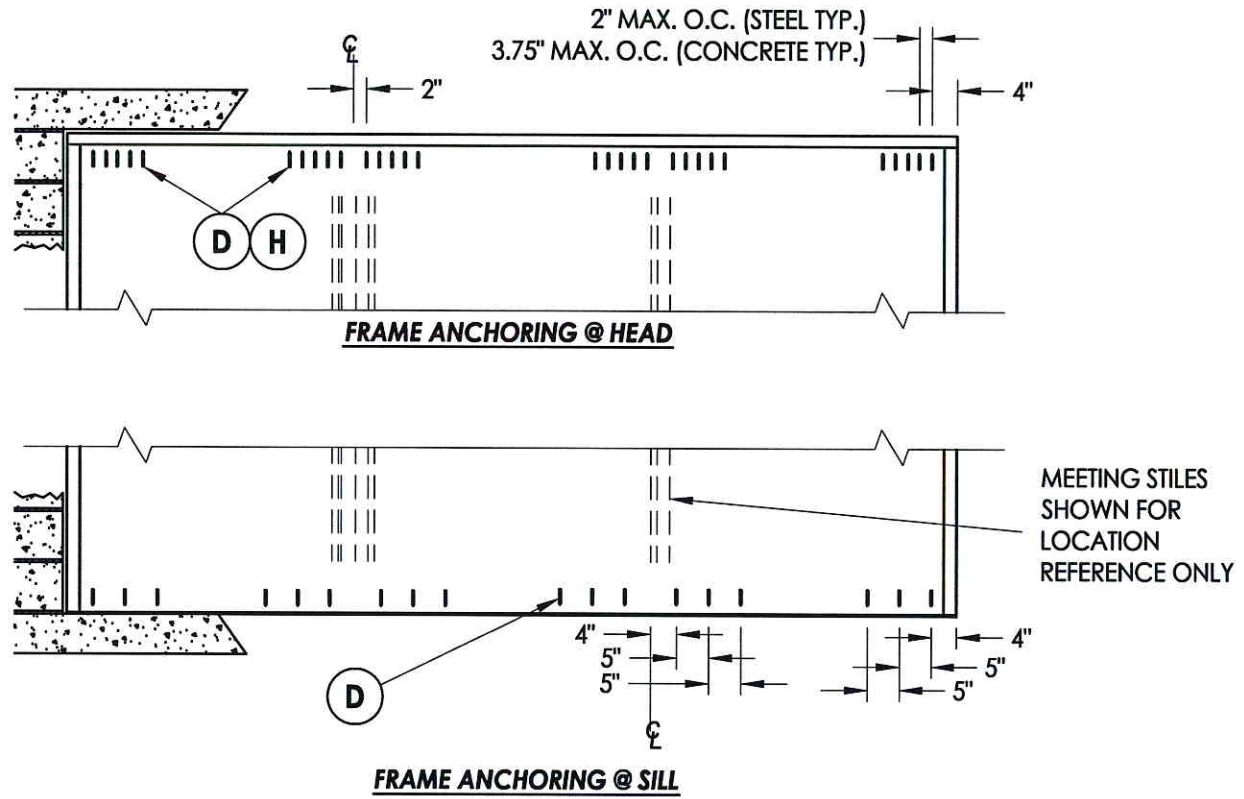
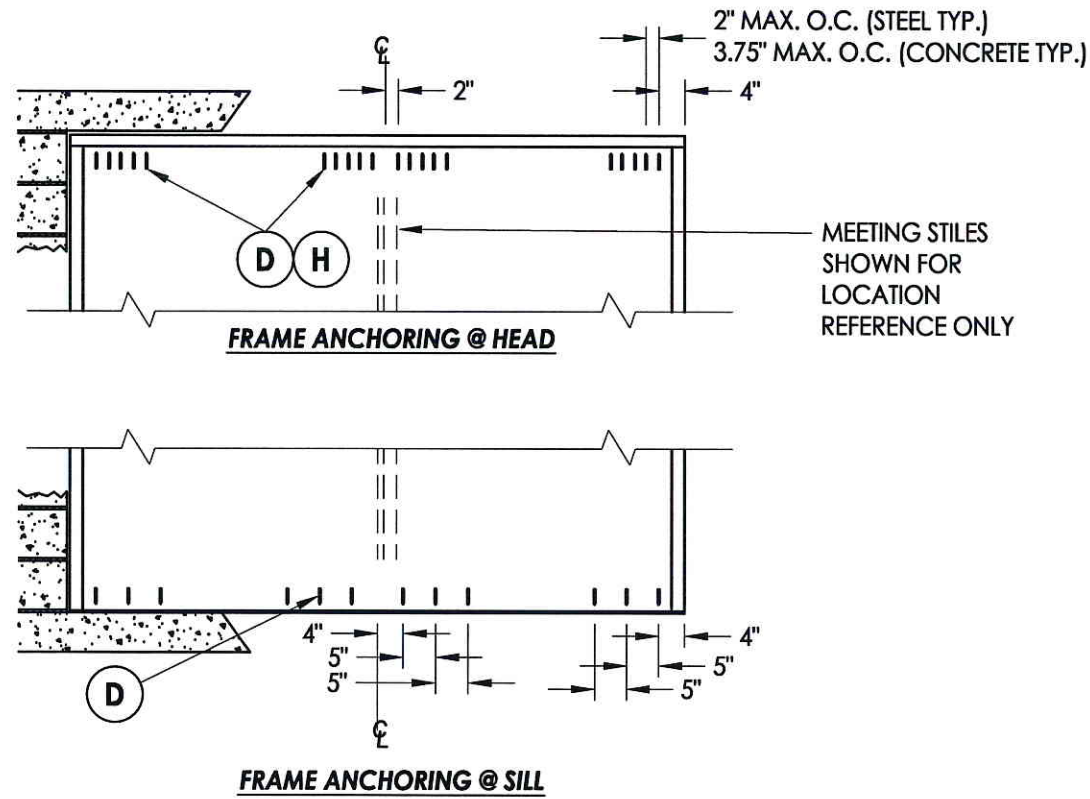
Documents Prepared By:
RW BUILDING CONSULTANTS, INC.
 P.O. Box 230 Valrico FL 33595
 Phone No.: 813.659.9197
 Florida Board of Professional Engineers
 Certificate Of Authorization No. 9813
 12/16/12
 Lyndon F. Schmidt, P.E. No. 43409

PRODUCT: SLIDING GLASS DOOR
 PART OR ASSEMBLY: ANCHORING (MAX. DP ≤ 75 PSF)

NO.	DATE	BY	REVISIONS

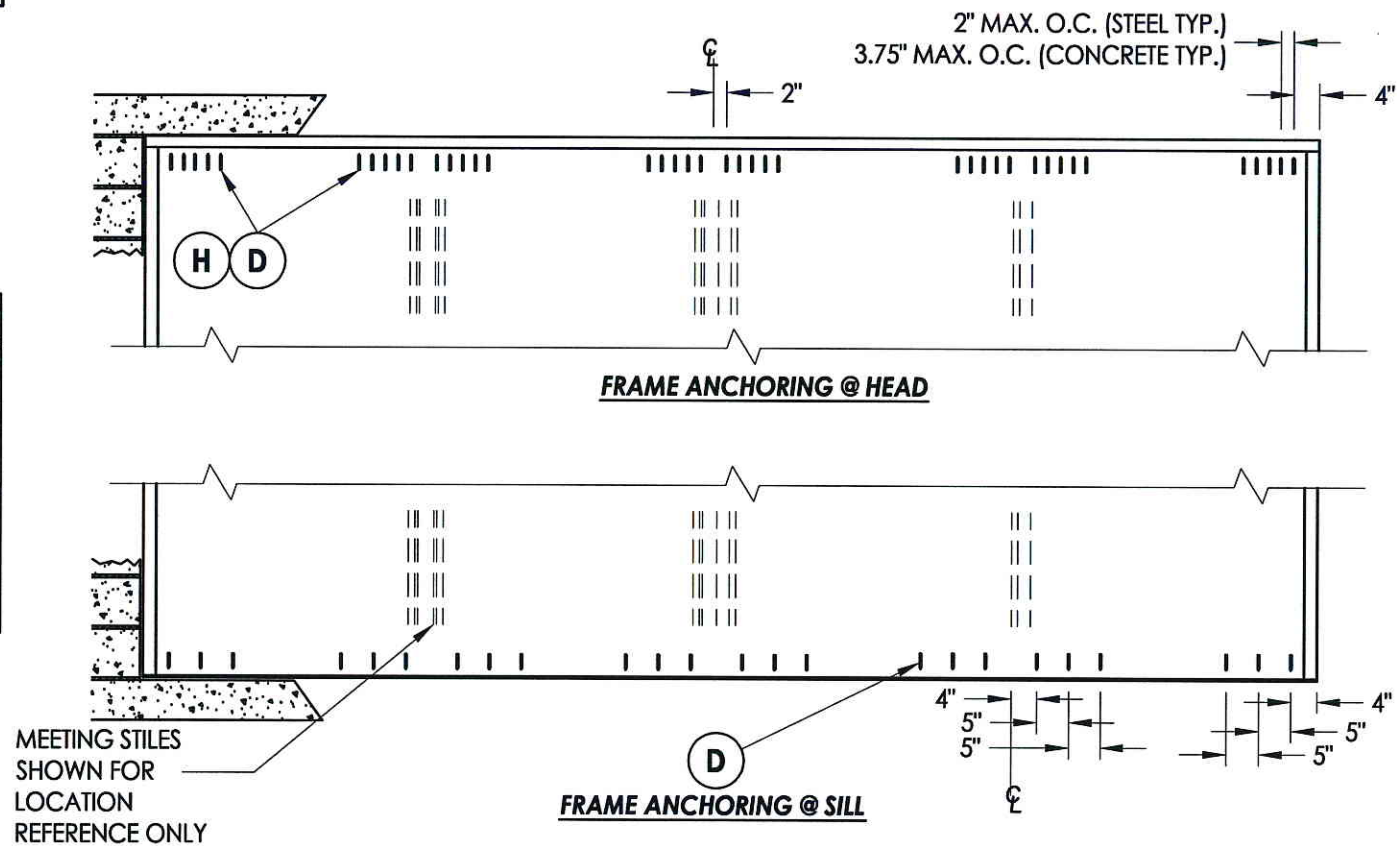
DATE: 8/24/12
 SCALE: N.T.S.
 DWG. BY: JK
 CHK. BY: LFS
 DRAWING NO.: FL-15903.2
 SHEET 10 OF 13

R:\A - Projects\Project Folders\Proj.1601 - 1700\PE.1692\ID. RWBC Drawings\FL-15903.1-2.dwg, 2-11



MAX. DP ≤ 135 PSF

SUBSTRATE		ANCHOR SCHEDULE
CONCRETE	(D)	5/16" x 2-3/4" ITW (XL) HWH concrete screw with 1.75" Min. embedment, 2-3/16" minimum edge distance and 3.75" minimum clearance to adjacent concrete anchors. Concrete is 2,899 PSI minimum conforming to ACI 301.
STEEL	(H)	1/4"-20 HWH Hilti KWIK PRO self-drilling screws. Steel with 0.125" minimum wall thickness conforming to ASTM A500 Grade B, Fy = 46,000 PSI & Fu = 58,000 PSI or ASTM A653, Fy = 33,000 PSI, Fu = 45,000 PSI. Minimum embedment of 3 threads through steel substrate.



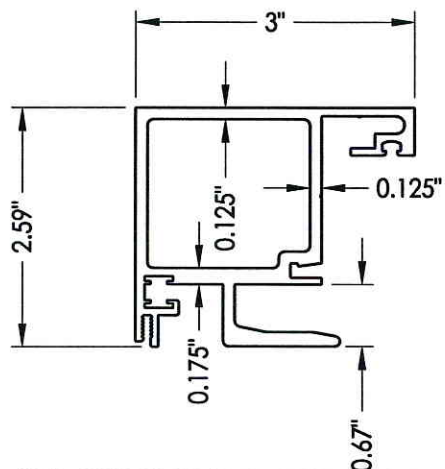
Documents Prepared By:
RW BUILDING CONSULTANTS, INC.
 P.O. Box 230 Valrico FL 33595
 Phone No.: 813.659.9197
 Florida Board of Professional Engineers
 Certificate Of Authorization No. 9813
 17-R-10.16.12
 Lyndon F. Schmidt, P.E. No. 43409

PRODUCT: SLIDING GLASS DOOR
 PART OR ASSEMBLY: ANCHORING (MAX. DP ≤ 135 PSF)

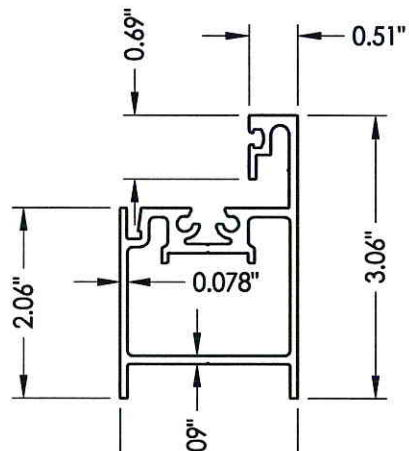
NO.	DATE	BY	REVISIONS

DATE: 8/24/12
 SCALE: N.T.S.
 DWG. BY: JK
 CHK. BY: LFS
 DRAWING NO.: FL-15903.2
 SHEET 11 OF 13

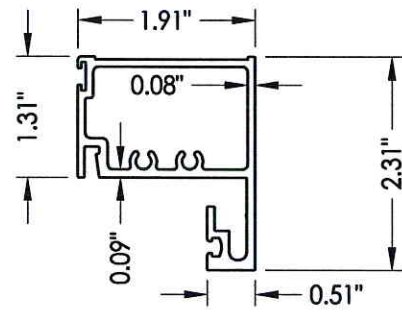
R:\A - Projects\Project Folders\Proj_1601 - 1700\PE 1692.D_RWBC Drawings\EL-15903.1-2.dwg, 2-12



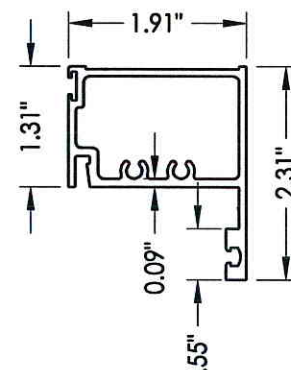
6 **INTERLOCK STILE - FIXED PANEL**
7/16" or 9/16" glass



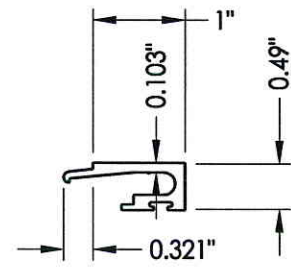
5 **BOTTOM RAIL - MOVING PANEL**
7/16" or 9/16" glass



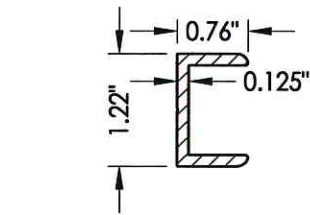
4 **TOP RAIL**
7/16" or 9/16" glass



54 **I.G. TOP RAIL**
1-5/16" Glass



1 **GLAZING BEAD**
7/16" or 9/16" glass



7 **FIXED PANEL RETAINING CLIP**



28 **PRE-SET GASKET**



29 **PRE-SET GASKET**



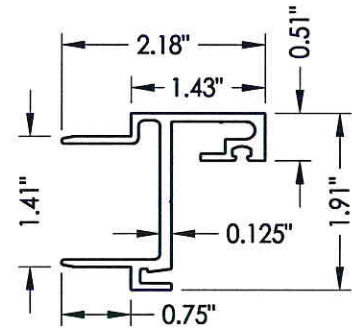
30 **WEDGE**



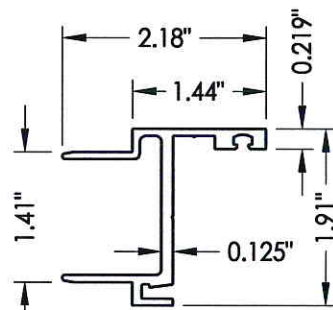
59 **FOAM CAULK STOP**



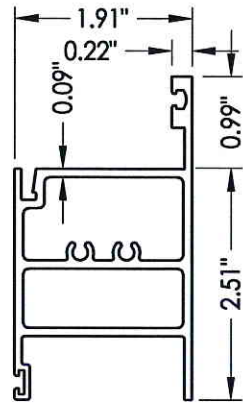
61 **WEDGE**



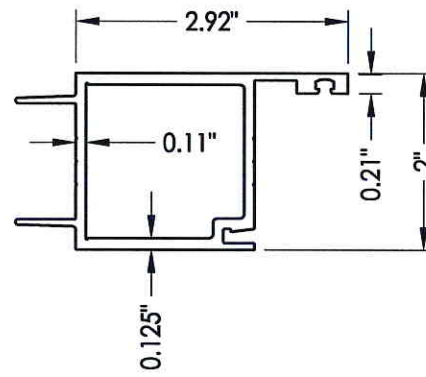
14 **FIXED PANEL STILE**
7/16" or 9/16" glass



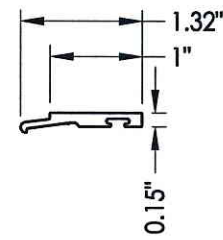
52 **I.G. FIXED PANEL STILE**
1-5/16" Glass



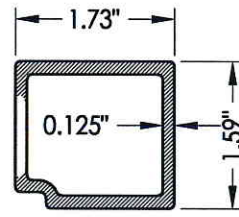
49 **I.G. BOTTOM RAIL - FIXED PANEL**
1-5/16" GLASS



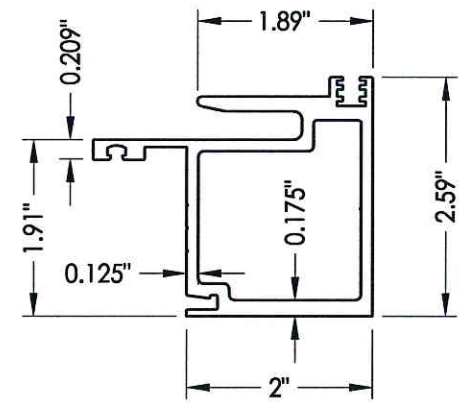
55 **I.G. LEAD STILE**
1-5/16" Glass



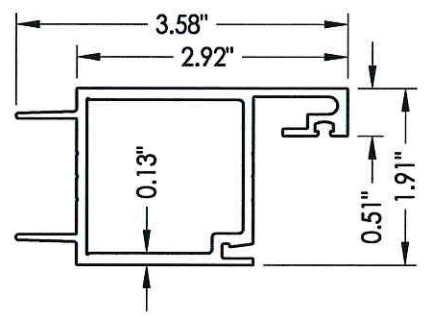
51 **I.G. GLAZING BEAD**
1-5/16" Glass



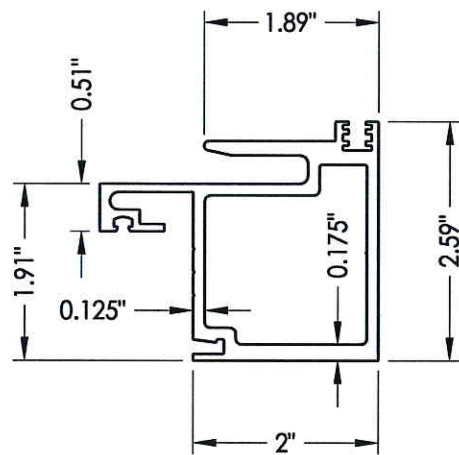
12 **REINFORCEMENT**



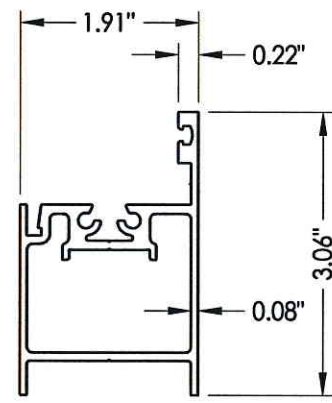
53 **I.G. INTERLOCK STILE - MOVING PANEL**
1-5/16" Glass



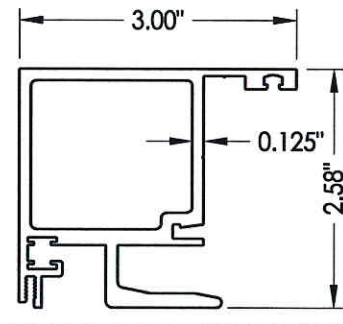
2 **LEAD STILE**
7/16" or 9/16" glass



3 **INTERLOCK STILE - MOVING PANEL**
7/16" or 9/16" glass



56 **I.G. BOTTOM RAIL - MOVING PANEL**
1-5/16" Glass



57 **INTERLOCK STILE - FIXED PANEL**
1-5/16" Glass

Documents Prepared By:

RW BUILDING CONSULTANTS, INC.
P.O. Box 230 Valrico FL 33595
Phone No.: 813.659.9197
Florida Board of Professional Engineers
Certificate of Authorization No. 9813
6758-0-16-r2
Lyndon F. Schmidt, P.E. No. 43409

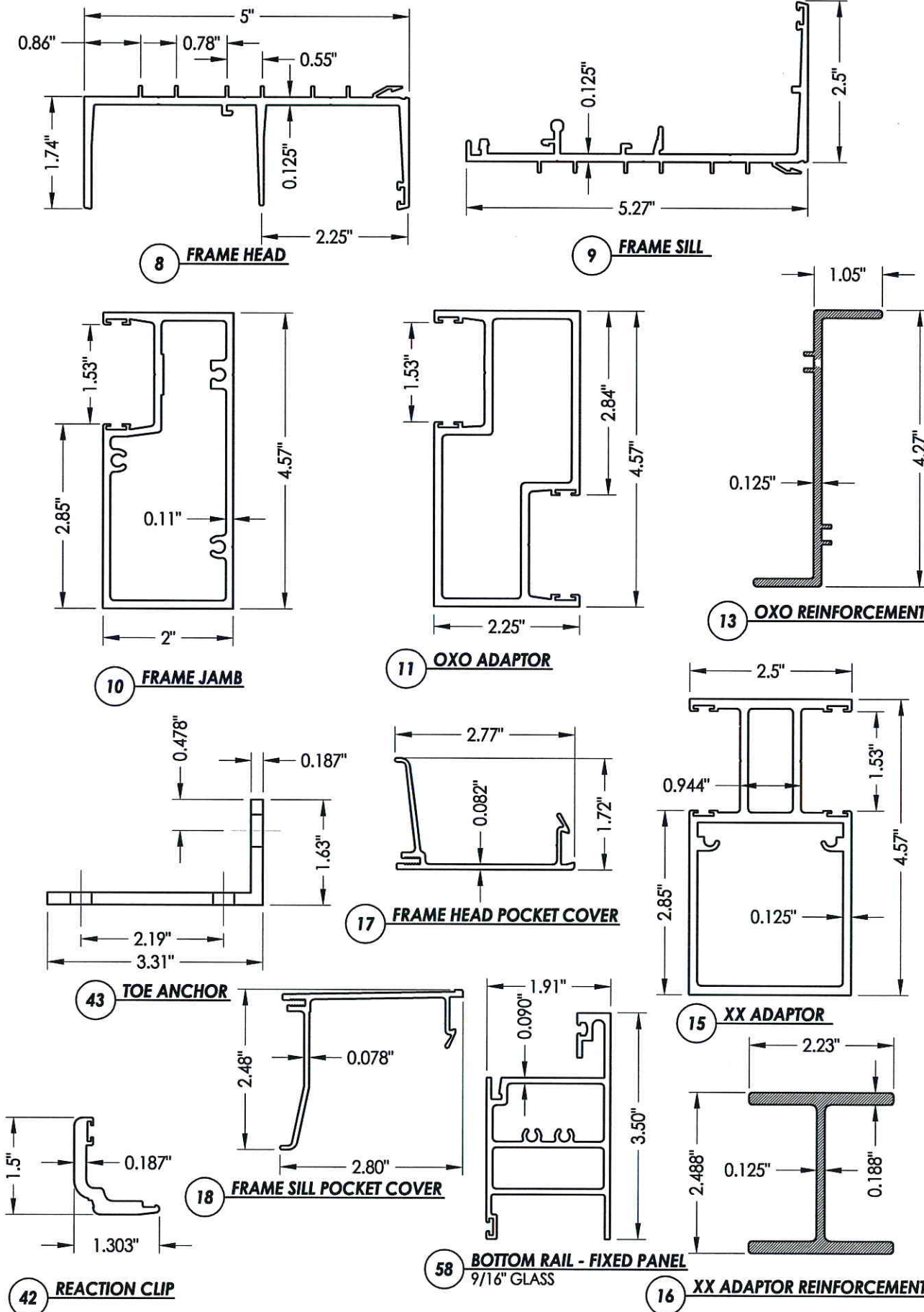
PRODUCT:	SLIDING GLASS DOOR
PART OR ASSEMBLY:	COMPONENTS

NO.	DATE	BY	REVISIONS

DATE:	8/24/12
SCALE:	N.T.S.
DWG. BY:	JK
CHK. BY:	LFS
DRAWING NO.:	FL-15903.2
SHEET	12 OF 13

© 2012 R.W. BUILDING CONSULTANTS INC.

BILL OF MATERIALS		
ITEM	DESCRIPTION	MATERIAL
D	5/16" X 2-3/4" ITW HWH CONCRETE SCREW	STEEL
E	MASONRY - 2,899 PSI MIN. CONCRETE CONFORMING TO ACI 301	CONCRETE
F	3/16" X 2-3/4" HWH ITW CONCRETE SCREW	STEEL
G	#10 X 1-1/2" SQ-PH ASSEMBLY SCREW	STL. STEEL
H	1/4"-20 HWH HILTI KWIK PRO SELF-DRILLING SCREW (WITH KWIK-COTE COATING)	STL. STEEL
K	#10 X 3/4" HH-SELF TAP SCREW	STL. STEEL
1	GLAZING BEAD 6063-T6 (9/16")	ALUM
2	LEAD STILE 6063-T6 (9/16")	ALUM
3	INTERLOCK STILE - MOVING PANEL 6005-T5 (9/16")	ALUM
4	TOP RAIL 6063-T6 (9/16")	ALUM
5	BOTTOM RAIL - MOVING PANEL 6063-T6 (9/16")	ALUM
6	INTERLOCK STILE - FIXED PANEL 6005-T6 (9/16")	ALUM
7	FIXED PANEL RETAINING CLIP 6063-T6	ALUM
8	FRAME HEAD 6063-T6	ALUM
9	FRAME SILL 6063-T6	ALUM
10	FRAME JAMB 6063-T6	ALUM
11	OXO ADAPTOR 6005-T5	ALUM
12	REINFORCEMENT 6005-T5	ALUM
13	OXO ADAPTOR REINFORCEMENT 6005-T5	ALUM
14	FIXED PANEL STILE 6063-T6 (9/16")	ALUM
15	XX ADAPTOR 6005-T5	ALUM
16	XX ADAPTOR REINFORCEMENT 6005-T5	ALUM
17	FRAME HEAD POCKET COVER 6063-T6	ALUM
18	FRAME SILL POCKET COVER 6063-T6	ALUM
25	WEATHERSEAL SEALANT (WS001) DOW 795	SILICONE
27	GLAZING SPACER	ALUM
28	GASKET, EPDM CLOSED CELL FOAM (9/16" GLAZING) (TREMCO)	EPDM
29	GASKET, EPDM CLOSED CELL FOAM (1-5/16" GLAZING) (TREMCO)	EPDM
30	WEDGE 70±5 EPDM (9/16" & 1-5/16" GLAZING) (TREMCO)	EPDM
31	BACKER ROD - CLOSED CELL EXTRUDED FOAM	POLYETHYLENE
34	1/4" MAX. SHIM SPACE	-
35	SETTING/EDGE BLOCK	-
41	ROLLER ASSM.	STEEL
42	REACTION CLIP 6005-T5	ALUM
43	TOE ANCHOR 6005-T5	ALUM
49	BOTTOM RAIL - FIXED PANEL 6063-T6 (1-5/16")	ALUM
51	I.G. GLAZING BEAD 6063-T6 (1-5/16")	ALUM
52	I.G. FIXED PANEL STILE 6063-T6 (1-5/16")	ALUM
53	I.G. INTERLOCK STILE - MOVING PANEL 6063-T6 (1-5/16")	ALUM
54	I.G. TOP RAIL 6063-T6 (1-5/16")	ALUM
55	I.G. LEAD STILE 6063-T6 (1-5/16")	ALUM
56	I.G. BOTTOM RAIL - MOVING PANEL 6063-T6 (1-5/16")	ALUM
57	INTERLOCK STILE - FIXED PANEL (1-5/16")	ALUM
58	BOTTOM RAIL - FIXED PANEL 6063-T6 (7/16" OR 9/16")	ALUM
59	CAULK STOP, EPDM CLOSED CELL FOAM (9/16" & 1-5/16" GLAZING) (TREMCO)	EPDM
60	STRUCTURAL SILICONE DOW 995	SILICONE
61	WEDGE, 70±5 EPDM (9/16" & 1-5/16" GLAZING) (TREMCO)	EPDM



Documents Prepared By: **RW** BUILDING CONSULTANTS, INC.
P.O. Box 230 Vairico FL 33595
Phone No.: 813.659.9197
Florida Board of Professional Engineers
Certificate Of Authorization No. 9813
LFS 10.16.12
Lyndon F. Schmidt, P.E. No. 43408

PRODUCT: SLIDING GLASS DOOR

PART OR ASSEMBLY: BILL OF MATERIALS & COMPONENTS

NO.	DATE	BY	REVISIONS

DATE: 8/24/12
SCALE: N.T.S.
DWG. BY: JK
CHK. BY: LFS
DRAWING NO.: FL-15903.2
SHEET 13 OF 13

© 2012 R.W. BUILDING CONSULTANTS INC.